

Cisco

Exam 200-601

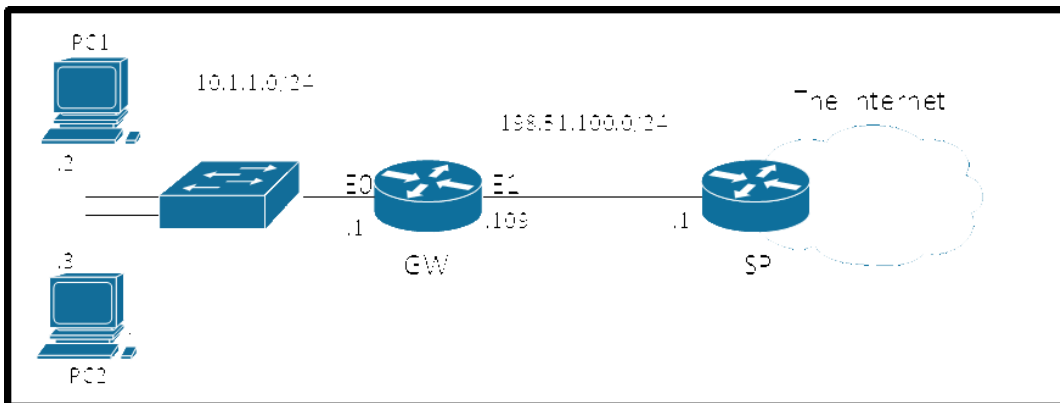
Managing Industrial Networking for Manufacturing with Cisco Technologies

Version: 6.0

[Total Questions: 67]

Question No : 1

Refer to the exhibit.



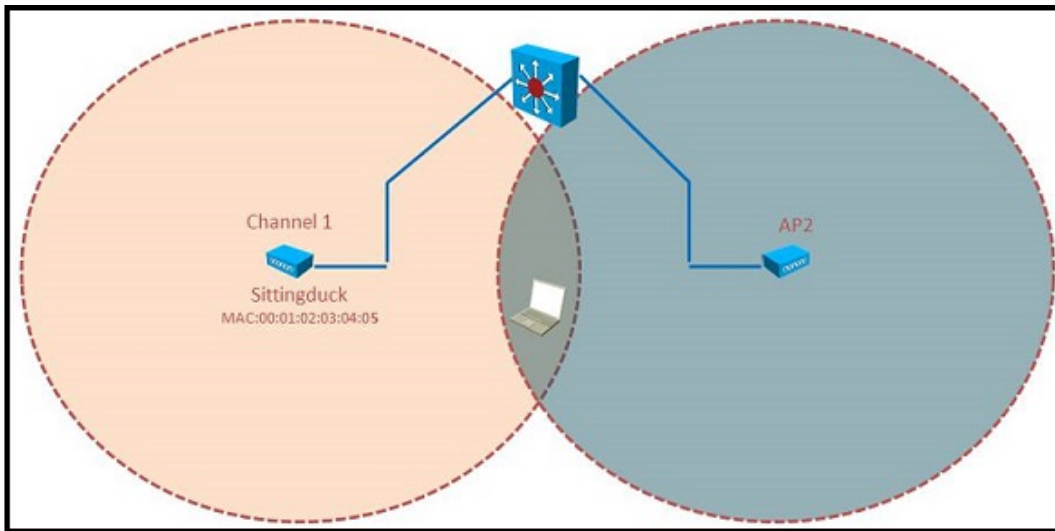
NAT has been configured on the router 'GW' and the IP addresses of router 'GW' have been configured properly. Users of PC1 and PC2 are able to ping the IP address 198.51.100.1 but are unable to reach any other IP addresses on the Internet. The ISP confirmed that their configuration is correct. Which option would likely correct the problem?

- A. ip access-list extended ACL_OUTBOUND
 permit ip 10.1.1.0 0.0.0.255 any
 interface Ethernet1
 ip access-group ACL_OUTBOUND out
- B. interface Ethernet1
 ip nat outside
- C. interface Ethernet0
 ip nat inside
- D. ip route 0.0.0.0 0.0.0.0 198.51.100.1

Answer: D

Question No : 2

Refer to the exhibit.



Which values are correct for AP 2 to allow for efficient roaming?

- A. Channel 6, SSID Sittingduck, BSSID 00:0a:0b:0c:0d:0e
- B. Channel 1, SSID Sittingduck, BSSID 00:01:02:03:04:05
- C. Channel 1, SSID Sittingduck, BSSID 00:0a:0b:0c:0d:0e
- D. Channel 6, SSID Sittingduck, BSSID 00:01:02:03:04:05

Answer: A

Question No : 3

Which selection is a reason why IGMP snooping should be configured on a switched network?

- A. IGMP snooping populates the snooping table with the results of DHCP requests and can be used by Dynamic ARP Inspection to block IP spoofing attacks at Layer-2.
- B. IGMP snooping verifies the source IP address of every IPv4 packet to ensure that it hasn't been originated from a port different than its return path.
- C. IGMP snooping is used to filter ping requests and results to avoid overflowing the MAC address table of the switch.
- D. IGMP snooping allows a Layer-2 switch to limit the transmission of multicast frames to only the ports that have members of the relevant IGMP group.

Answer: D

Question No : 4

Cisco 200-601 : Practice Test

When troubleshooting a high packet loss condition in the network, the inspection area has an assessed M.I.C.E. value of M=1, I=1, C=3 and E=1. Which condition could be suspect?

- A. Use of shielded Patch Cables, Bonded on one end only.
- B. Use of unshielded Patch Cables.
- C. Broken seal on bulkhead connector.
- D. Oxidation on Shielded RJ45 Patch Plug

Answer: D

Question No : 5

AP CAPWAP control traffic should be isolated from wireless client traffic. Which scenario represents the correct configuration to support the SSIDs of this controller-based access point in FlexConnect local switching mode?

- A.
- B.
- C.
- D.

Answer: C

Question No : 6

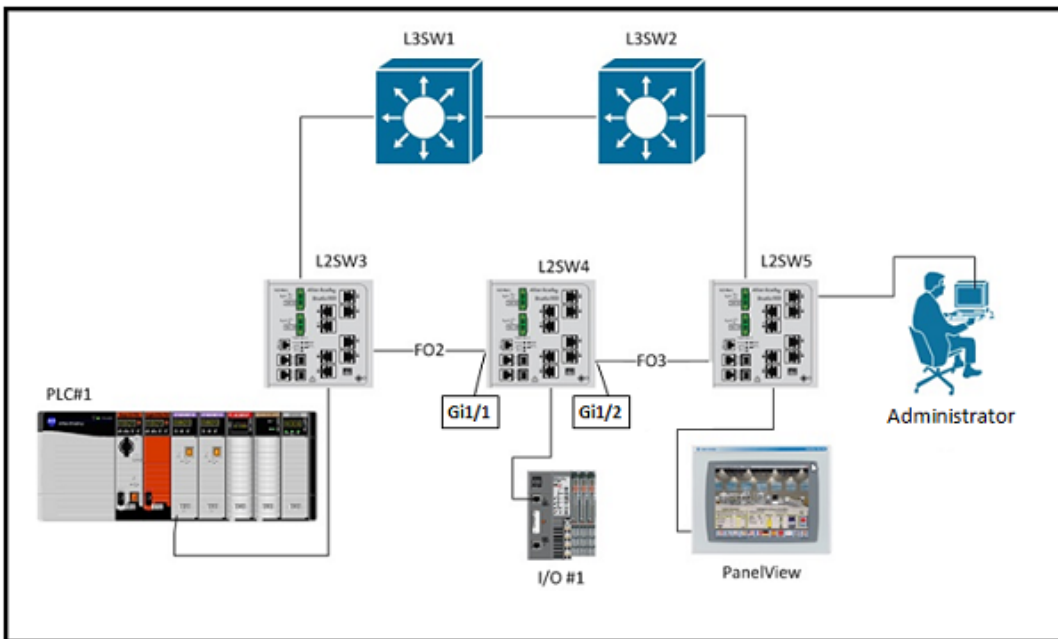
What can be done to increase the security in depth in an industrial zone?

- A. Add additional disk storage to the IDS server
- B. Add specific SCADA signatures to the IDS server
- C. Create a high availability solution for the IDS server
- D. Place a 'data diode' in front of the IDS server

Answer: B

Question No : 7

Refer to the exhibit.



CIP Implicit messages from I/O#1 are being marked IP DSCP 47 by the endpoint and this marking is trusted by L2SW4. L2SW4 is configured to map DSCP 47 to output queue 1 threshold 1. You have received feedback that some of these messages are not being received. Executing the show mls interface GigabitEthernet statistics command on L2SW4 results in:

```
L2SW4# show mls interface GigabitEthernet 1/1 statistics
```

<output omitted>

output queues dropped:

queue:	threshold1	threshold2	threshold3
queue 0	0	0	0
queue 1	309232345	450	0
queue 2	300	10	0
queue 3	91	0	0

Repeating this command results in the counters incrementing for queue 1 threshold 1. What are two options for reducing the packet loss on this interface while preserving the end-to-end DSCP marking? (Choose two)

A. Configure I/O#1 to mark this traffic with a different DSCP that is mapped to a less

congested queue

- B. Increase the buffer allocation for input queue 1
- C. Increase the buffer allocation for output queue 1
- D. Alter the service policy to police to a higher CIR
- E. Change the egress queue map on L2SW4 to map this traffic to a less congested queue

Answer: C,E

Question No : 8

Which command globally enables QoS on a Cisco Industrial Ethernet switch?

- A. switch(config)#qos enable
- B. switch(config)#mls queuing enable
- C. switch#enable queuing
- D. switch(config)#mls qos

Answer: D

Question No : 9

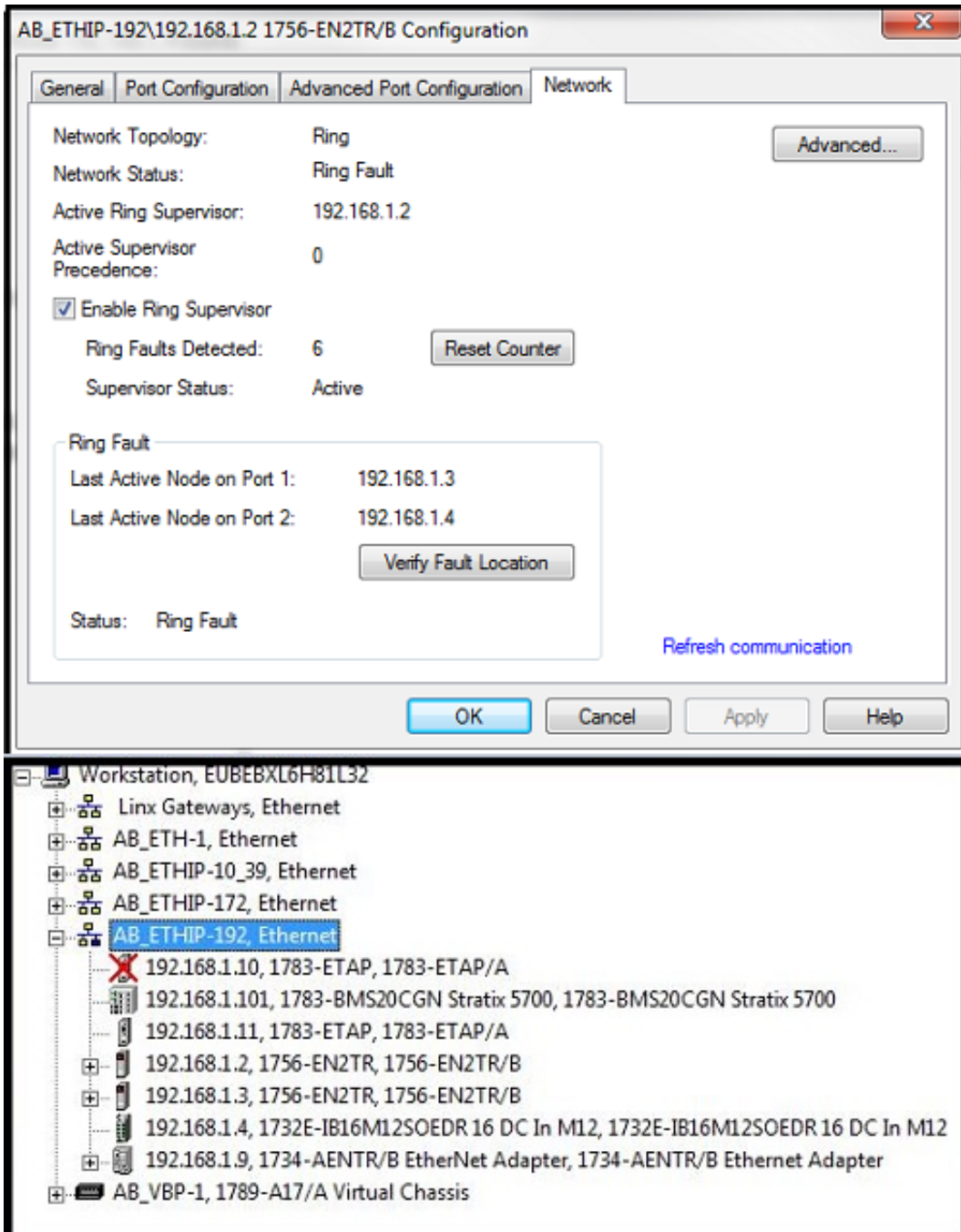
What are three Cisco best practices for running I/O control traffic in a wireless environment? (Choose three)

- A. 3200 packets per second and 20% bandwidth for HMI and maintenance traffic.
- B. 2200 packets per second and 20% bandwidth for HMI and maintenance traffic
- C. I/O control traffic can be run on 2.4 or 5 GHz channels
- D. I/O control traffic should be run on 5GHz channels only
- E. Standard I/O RPIs less than 20ms are not practical for wireless media because the maximum latency and jitter become comparable or greater than the RPI
- F. Standard I/O RPIs less than 10ms are not practical for wireless media because the maximum latency and jitter become comparable or greater than the RPI

Answer: B,D,F

Question No : 10

Refer to the exhibit.



Network Faceplates have not been installed on the HMI and so you need to map a network based on information available from RSLinx. Which most accurately represents the network configuration?

- A.
- B.
- C.
- D.

Answer: B

Question No : 11

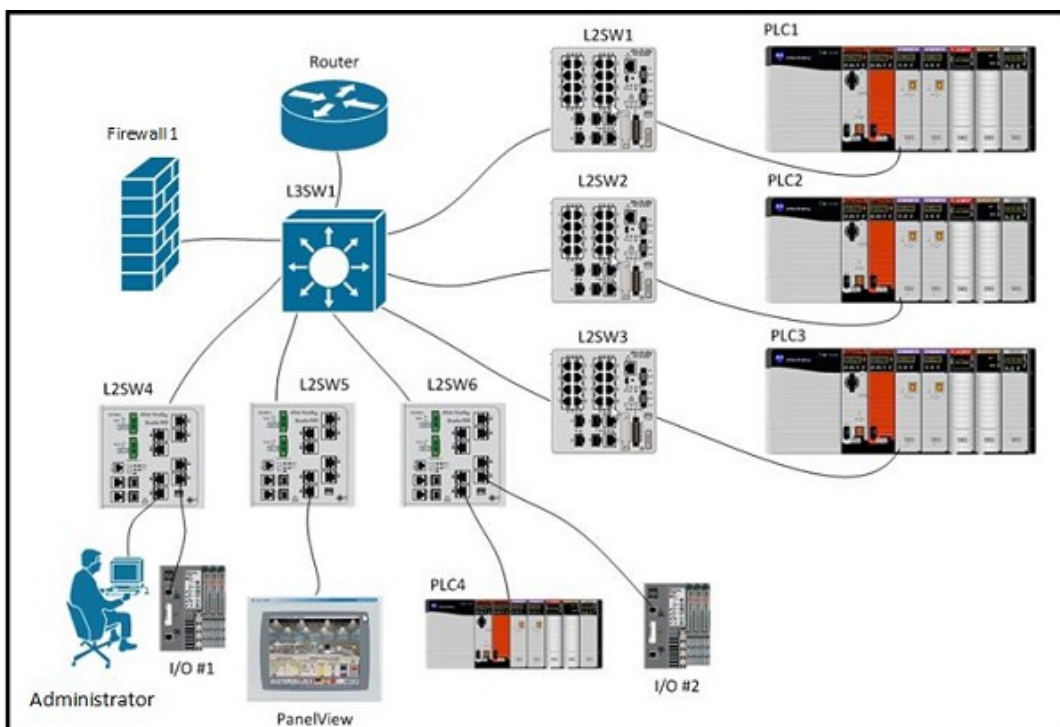
You have been tasked to design an Ethernet network capable of Motion control with cycle times not to exceed 1ms. In order to create a more deterministic network, what characteristic/s should you primarily focus on?

- A. Latency and Jitter
- B. Redundancy and high availability
- C. Explicit and Implicit messaging
- D. This cycle time is not possible on an Ethernet network
- E. Gigabit port speed

Answer: A

Question No : 12

Refer to the exhibit.



A new device, PanelView, has been added to the network. See the table for device details:

All devices are able to ping their default gateway and all other devices except PanelView. PanelView can only ping its default gateway.