

HP

Exam HP0-Y46

Implementing HP Network Technologies

Version: 4.5

[Total Questions: 85]

Topic 1, Volume A**Question No : 1 - (Topic 1)**

What are HP Cloud Maps?

- A. HP software that automates routine IT tasks within a cloud environment
- B. HP business best practices that help organizations transition from traditional computing to cloud computing
- C. HP templates that make applications such as Oracle and Microsoft SharePoint ready for push-button deployment
- D. HP information management technology that helps users analyze location-based data often found in large data sets

Answer: C

Reference: <http://www8.hp.com/us/en/business-solutions/solution.html?compURI=1216661#.Uin7SGQS2Qk> (see the bulleted points on the page)

Question No : 2 HOTSPOT - (Topic 1)

Match each IMC module to the correct description.

HP HP0-Y46 : Practice Test

Implements policies for environments that support "bring your own device" (BYOD)

User Behavior Module (UBM) ▼

- User Behavior Module (UBM)
- Service Operation Manager (SOM)
- Endpoint Admission Defense (EAD)
- User Access Manager (UAM)
- Branch Intelligent Management Software (BIMS)

Prevents devices infected with malware from spreading the infection to other devices on the network

User Behavior Module (UBM) ▼

- User Behavior Module (UBM)
- Service Operation Manager (SOM)
- Endpoint Admission Defense (EAD)
- User Access Manager (UAM)
- Branch Intelligent Management Software (BIMS)

Detects and eliminates threats in HTTP, FTP, and SMTP connections

User Behavior Module (UBM) ▼

- User Behavior Module (UBM)
- Service Operation Manager (SOM)
- Endpoint Admission Defense (EAD)
- User Access Manager (UAM)
- Branch Intelligent Management Software (BIMS)

Securely manages customer premise equipment (CPE) in wide area networks (WANs)

User Behavior Module (UBM) ▼

- User Behavior Module (UBM)
- Service Operation Manager (SOM)
- Endpoint Admission Defense (EAD)
- User Access Manager (UAM)
- Branch Intelligent Management Software (BIMS)

Helps manage the entire IT lifecycle

User Behavior Module (UBM) ▼

- User Behavior Module (UBM)
- Service Operation Manager (SOM)
- Endpoint Admission Defense (EAD)
- User Access Manager (UAM)
- Branch Intelligent Management Software (BIMS)

Answer:

HP HP0-Y46 : Practice Test

Implements policies for environments that support "bring your own device" (BYOD)

User Behavior Module (UBM) ▼

- User Behavior Module (UBM)
- Service Operation Manager (SOM)
- Endpoint Admission Defense (EAD)
- User Access Manager (UAM)**
- Branch Intelligent Management Software (BIMS)

Prevents devices infected with malware from spreading the infection to other devices on the network

User Behavior Module (UBM) ▼

- User Behavior Module (UBM)
- Service Operation Manager (SOM)
- Endpoint Admission Defense (EAD)**
- User Access Manager (UAM)
- Branch Intelligent Management Software (BIMS)

Detects and eliminates threats in HTTP, FTP, and SMTP connections

User Behavior Module (UBM) ▼

- User Behavior Module (UBM)**
- Service Operation Manager (SOM)
- Endpoint Admission Defense (EAD)
- User Access Manager (UAM)
- Branch Intelligent Management Software (BIMS)

Securely manages customer premise equipment (CPE) in wide area networks (WANs)

User Behavior Module (UBM) ▼

- User Behavior Module (UBM)
- Service Operation Manager (SOM)
- Endpoint Admission Defense (EAD)
- User Access Manager (UAM)
- Branch Intelligent Management Software (BIMS)**

Helps manage the entire IT lifecycle

User Behavior Module (UBM) ▼

- User Behavior Module (UBM)
- Service Operation Manager (SOM)**
- Endpoint Admission Defense (EAD)
- User Access Manager (UAM)
- Branch Intelligent Management Software (BIMS)

Question No : 3 - (Topic 1)

Which FlexArchitecture component uses Virtual Connect in blade server systems?

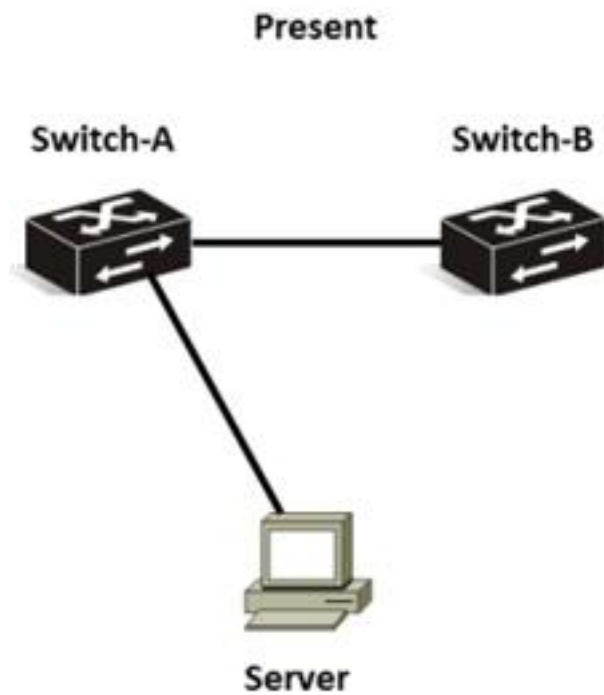
- A. FlexFabric
- B. FlexDataCenter
- C. FlexCampus
- D. FlexManagement

Answer: A

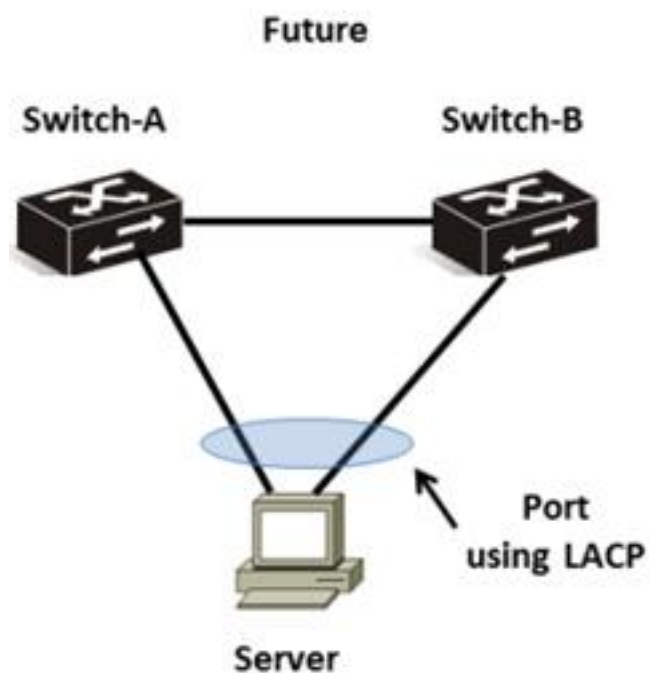
Reference: http://h18004.www1.hp.com/products/quickspecs/13652_div/13652_div.pdf

Question No : 4 - (Topic 1)

Refer to the network exhibit.



A network administrator has a server with a single link to the network. The company is concerned about redundancy and wants to implement a solution like that shown in the right-hand side of the diagram.



Which solution meets the company's needs?

- A. HP Comware or HP Provision switches using IRF
- B. HP Comware switches using IRF only
- C. HP Comware switches using meshed IRF or meshed stacking
- D. HP Comware switches using distributed trunking only
- E. HP Comware switches using distributed trunking or IRF

Answer: B

Question No : 5 - (Topic 1)

A network administrator views this message on the console of an HP Comware switch:

```
%Apr 29 13:22:54:969 2012 Comware-2 RM/3/RMLOG:OSPF-NBRCHANGE: Process 1, Neighbor  
10.1.100.1(Vlan-interface100) from Loading to Full
```

What is the significance of this message?

- A. The switch has shared routes with the DR
- B. The switch has become the BDR
- C. The switch has received routes from a DROTHER
- D. The switch has become the DR

Answer: B

Question No : 6 - (Topic 1)

Which statements are correct about HP StoreOnce Backup? (Select two.)

- A. It is a modular, branch-in-a-box solution that reduces the cost of remote installations.
- B. It provides high-speed data backup using a 3U rack enclosure with multiple tape arrays.
- C. It provides long term data retention using tape backup libraries with LTO-6 technology.
- D. It reduces bandwidth and storage media use with deduplication technology.
- E. It transfers only unique data across the network and stores it on the remote backup devices.

Answer: C,E

Question No : 7 - (Topic 1)

Which additional OSPF states does an OSPF router go through when forming an adjacency with a DR or BDR that it does not go through with a DROTHER? (Select three.)

- A. init state
- B. down state
- C. two-way state
- D. full state
- E. loading state
- F. exchange state

Answer: D,E,F

Question No : 8 - (Topic 1)

Which Software-Defined Network (SDN) layer includes HP Provision and HP Comware switches?

- A. application
- B. operational
- C. control
- D. infrastructure

Answer: D

Reference:

<http://h17007.www1.hp.com/us/en/networking/solutions/technology/sdn/index.aspx#.UirynGQS2Qk> (refer to the diagram)

Question No : 9 - (Topic 1)

Which modules provide connectivity for blade servers installed in the HP BladeSystem c-Class enclosure to external switches? (Select two.)

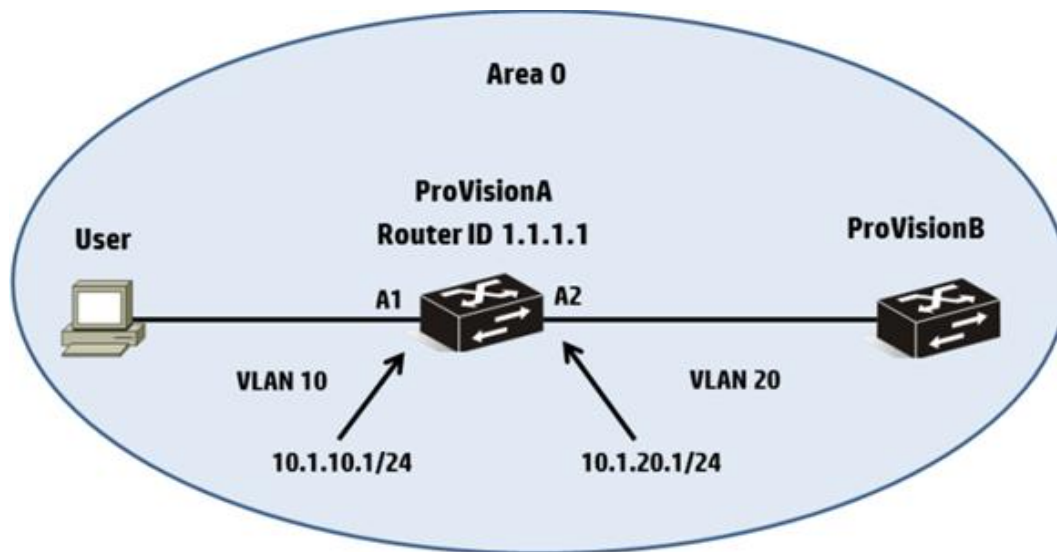
- A. Virtual Connect module
- B. HP 6120XG module
- C. 8200zl module

- D. MSR900 module
- E. 5830AF module

Answer: A,B

Question No : 10 - (Topic 1)

Refer to the network exhibit.



A network administrator needs to ensure that no adjacency is formed with the User device. Based on the topology shown in the exhibit, which configuration successfully configures OSPF for ProVisionA?

- A ip routing
ip router-id 1.1.1.1
router ospf
area 0
exit
vlan 10
ip ospf area 0
ip ospf passive
exit
vlan 20
ip ospf area 0
exit
- B ip routing
ip router-id 1.1.1.1
router ospf
area 0
vlan 10 area 0
vlan 20 area 0
vlan 10 passive
exit
- C ip routing
router ospf 1.1.1.1
area 0 vlan 10
area 0 vlan 20
passive-interface vlan 10
exit
- D router ospf router-id 1.1.1.1
area 0
exit
vlan 10
ip ospf area 0
ip ospf passive
exit
vlan 20
ip ospf area 0
exit

- A. Option A
- B. Option B
- C. Option C
- D. Option D

Answer: B

Question No : 11 - (Topic 1)

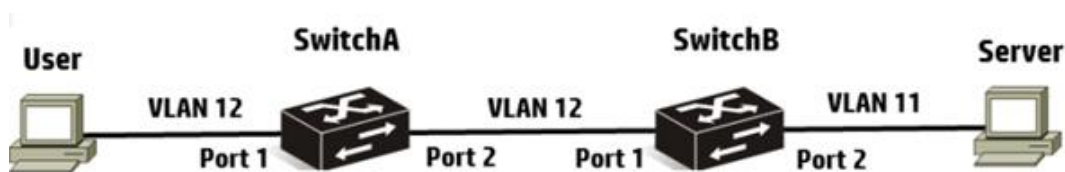
In which FlexArchitecture modules would MPLS and DSL connections commonly be terminated? (Select two.)

- A. FlexCampus
- B. FlexRemote
- C. FlexWAN
- D. FlexDataCenter
- E. FlexBranch

Answer: A,E

Question No : 12 - (Topic 1)

Refer to the network and ARP table exhibit.



ARP Table

Device	IP Address	MAC Address
User	10.1.12.12	0001.0012.0012
SwitchA	10.1.12.2	0001.0012.0002
SwitchB	10.1.12.1	0001.0012.0001
SwitchB	10.1.11.1	0001.0011.0002
Server	10.1.11.11	0001.0011.0011