

# Cisco

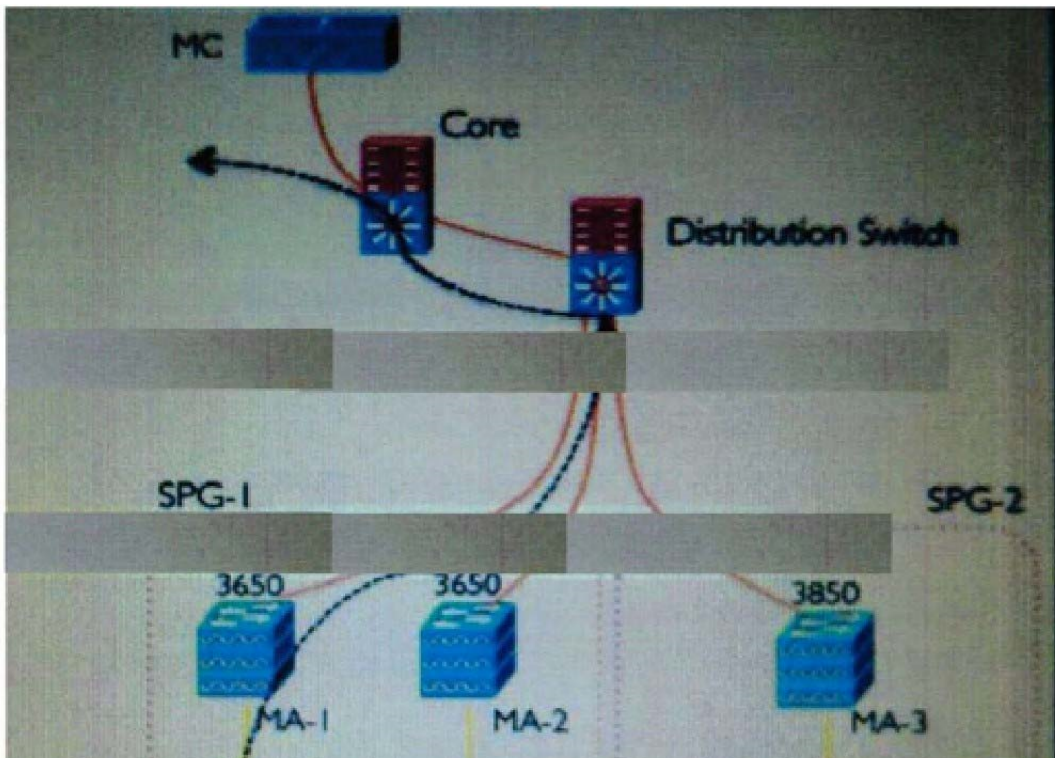
## Exam 400-351

### CCIE Wireless (v3.1)

Version: 9.0

[ Total Questions: 161 ]

Question No : 1



Refer the exhibit.

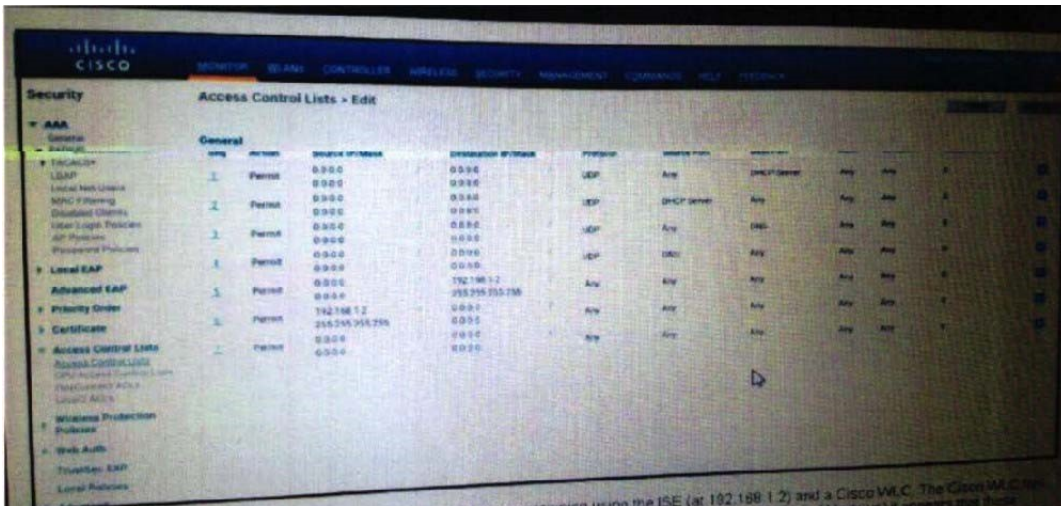
A Wireless user has roamed from an AP connected to MA-1 to an AP connected to MA-3. The traffic flow for the user before the roam is shown. Which option shows the traffic flow for the user after roam, considering default sticky anchoring is disabled on the WLAN, and WLAN to VLAN mapping and roaming domain IDs are identical on both sides?

- A. MA-3 > Distribution Switch > MA-1 > Distribution Switch > Core
- B. MA-3 > Distribution Switch > MA-2 > MA-1 > Distribution Switch > Core
- C. MA-3 > Distribution Switch > MA-2 > MA-1 > Distribution Switch > Core
- D. MA-3 > Distribution Switch > Core

Answer: D

Question No : 2

Refer to the exhibit



Your customer is testing native supplicant provisioning using the ISE (at 192.168.1.2) and a Cisco WLC. The Cisco WLC has an ACC Configured on it called onboarding during the testing of many different client devices (android apple windows) it appears that these devices are never redirected to the on boarding portal through they a access the internet which statement explain this behavior.

- A. The ACL has a permit any at the end of the list redirection does not take place unless the client hits a website that gets denied
- B. The source and destination port in the ACL are not set up correctly
- C. The ACL has a permit any at the end of the list redirection does not take place unless the client hits a websites that guest permitted
- D. there is nothing wrong the acl the problem must exist either on the client side or on the configured ISE authorization profile.

**Answer: C**

### Question No : 3

Your customer has high availability Clint SSO configure using a pair of Cisco 5508 WICs running 8.0 code. The primary unit failed over and the secondary unit is now active. Which two statement are true. (Choose two)

- A. Both controller RMI can be in different subnets.
- B. Only the clients that are in the run state are maintained during failover
- C. Clients that are in transition such as roaming are dissociated
- D. New mobility is supported

**Answer: B,C**

**Question No : 4**

which two statements about accessing the GUI and CLI of Cisco WLC are true?

- A. Use the config domain add -N command on the Cisco WLC.
- B. The wireless client can access the Cisco WLC only when the option "Enable controller wireless Management to be accessible from wireless client is checked"
- C. The feature management using dynamic interface can be applied to one of the dynamic interfaces only.
- D. Add the country code for Panama (PA) through the Cisco WLC web GUI.

**Answer: B,C**

**Question No : 5**

Which two sets of ports are used to configure high availability database connection between the primary and secondary Prime infrastructure 2.2? (Choose two)

- A. TCP 1522/UDP 1522
- B. TCP 2705/UDP2705
- C. TCP 162 | UDP 162
- D. TCP 1099/UDP 1099
- E. TCP 8082/UDP 8082

**Answer: A,E**

**Question No : 6 DRAG DROP**

When you enable QoS in a Cisco Unified Wireless environment, the AP queues packets based on the layer 2 CoS value for each packet. The AP processes and applies QoS policies in a specific order. Drag and drop the QoS statement on the left to the correct order of how the AP processes and applies QoS policies on the right.

When you enable QoS in a Cisco Unified Wireless environment, the AP queues packets based on the Layer 2 CoS value for each packet. The AP processes and applies QoS policies in a specific order. Choose the correct order of how the AP processes and applies QoS policies.

dynamic voice classified packets	applied and processed first
already classified packets for which no other QoS policy rules are applied	applied and processed second
packets with default VLAN classification	applied and processed third
QoS policies, created and applied on the AP	applied and processed fourth

**Answer:**

When you enable QoS in a Cisco Unified Wireless environment, the AP queues packets based on the Layer 2 CoS value for each packet. The AP processes and applies QoS policies in a specific order. Choose the correct order of how the AP processes and applies QoS policies.

dynamic voice classified packets	already classified packets for which no other QoS policy rules are applied
already classified packets for which no other QoS policy rules are applied	dynamic voice classified packets
packets with default VLAN classification	QoS policies, created and applied on the AP
QoS policies, created and applied on the AP	packets with default VLAN classification

**Question No : 7**

Which AireOS release id the first to support new Mobility on the Cisco 2504 WLC?

- A. 8.1x
- B. 7.6x
- C. 7.4x
- D. 8.0x

**Answer: B**

**Explanation:** [http://www.cisco.com/c/en/us/td/docs/wireless/controller/7-6/configuration-guide/b\\_cg76/b\\_cg76\\_chapter\\_010010110.html](http://www.cisco.com/c/en/us/td/docs/wireless/controller/7-6/configuration-guide/b_cg76/b_cg76_chapter_010010110.html)

**Question No : 8**

Refer to the exhibit. Which two statements about this output are true? (Choose two.)

```
R1(config)# class-map match-any class1
R1(config-cmap)# match access-group 101
R1(config-cmap)# match protocol ip

R1(config-cmap)# exit
R1(config)# class-map class2
R1(config-cmap)# match access-group 102
R1(config-cmap)# match not protocol ip
R1(config-cmap)# exit
```

- A. Unclassified traffic belongs to the traffic class default, and packets in this class are treated as FIFO.
- B. For traffic to match class1, the traffic that is being evaluated must match one of the specified criteria.
- C. For traffic to match class1, the traffic that is being evaluated must match both of the specified criteria.
- D. Unclassified traffic will be dropped because no default class is created.

**Answer: B**

#### Question No : 9

What two statements are true with regards to the UNII brands? (Choose two)

- A. All channels in the UNII-2 band require DFS and TPC
- B. The UNII-3 band provides channel that are spaced 20 MHz apart
- C. The channels in UNII-3 band require DFS and TPC
- D. The UNII-1band provides 4 non-overlapping channels
- E. Different channels within the UNII-1band have different restrictions including transmit power antenna gain antenna style usage

**Answer: A,D**

#### Question No : 10

Which three type of ACLs are supported by the Cisco 5760 WLC?

- A. VLAN ACLS (VLAN MAPS)

- B. Switch Port ACLs
- C. Router ACLs
- D. QoS ACLs
- E. Router Port ACLs
- F. Port ACLs

Answer: A,C,F

**Question No : 11**

```

Cisco AP Identifier..... VC-PR0004
Cisco AP Name..... Multiple Countries: DE, GB, US
Country code..... 802.11bg:-AE 802.11a:-US
Regulatory Domain allowed by Country..... US - United States
AP Country code..... 802.11bg:-A 802.11a:-A
AP Regulatory Domain.....
Switch Port Number ..... 1
MAC Address..... 4c:4e:35:a2:29:a3
IP Address Configuration..... DHCP
IP Address..... 10.63.7.107
IP NetMask..... 255.255.255.0
Gateway IP Addr..... 10.63.7.1
Administrative State ..... ADMIN ENABLED
Operation State ..... REGISTERED
Mirroring Mode ..... Disabled
AP Mode ..... Local
Logging trap severity level ..... debugging
Logging syslog facility ..... local7
S/W Version ..... 7.6.130.209
AP Model..... AIR-CAP2602I-A-K9
AP Image..... C2600-K9W3-M
15.2 (20141211:0143597)
    
```

Refer to the exhibit which syslog logging facility and severity level is enabled on this AP ?

- A. logging trap severity 6, logging syslog facility local7
- B. logging trap severity 3,logging syslog facility sys 10
- C. logging trap severity 5,logging syslog facility local14
- D. logging trap severity 7, logging syslog facility local 7
- E. Logging trap severity 9,logging syslog facility kernel

Answer: D

**Question No : 12 DRAG DROP**

## Cisco 400-351 : Practice Test

List the various CAPWAP session establishment process steps sequentially. Drag the steps to the boxes at the right in the correct sequence.

run state	Step 1
discovery request	Step 2
join response	Step 3
configuration status response	Step 4
join request	Step 5
DTLS session establishment	Step 6
configuration status request	Step 7
discovery response	Step 8

### Answer:

List the various CAPWAP session establishment process steps sequentially. Drag the steps to the boxes at the right in the correct sequence.

run state	discovery request
discovery request	discovery response
join response	DTLS session establishment
configuration status response	join request
join request	join response
DTLS session establishment	configuration status request
configuration status request	configuration status response
discovery response	run state

### Question No : 13

Which two configuration are required on the Cisco 5760 WLC to ensure that APs will successfully join the Cisco WLC? (Choose two)

- A.** Enable IP DHCP SNOOPING TRUST on the wireless controller port-channel interface
- B.** Activate the apocopate Right-to-use AP license on the wireless LAN controller
- C.** Ensure that port-fast is enabled on each access point switch port
- D.** Ensure accurate configuration of the correct time and date on the wireless LAN controller

**Answer: B,D**

### Question No : 14



## Cisco 400-351 : Practice Test

Two autonomous Aps are connected to a switch on the same VLAN both APS are configured with the same SSID and WPA2-PSK. After making configuration changes to one of the APs .spanning tree disabled one of the switch ports into which AP was plugged.? Which two options describe possible reasons that spanning tree disabled a port? (choose Two)

- A. One of the Aps was configured as a universal workgroup bridge.
- B. It is not possible for spanning tree to disable a port. The bridging loop must have been coincidental
- C. Spanning tree was disabled on both Aps
- D. PortFast was enabled on all ports
- E. One of the APs was configured as a standard workgroup bridge.

**Answer: A,E**

### Question No : 15 DRAG DROP

Map the common status error message seen on a Cisco Unified Wireless IP Phone 7900 Series, in the left column, to its possible cause, in the right column.	
Network Busy	The phone is attempting to obtain network parameters such as its IP address, or the IP address of the gateway or router from the DHCP server.
Leaving Service Area	The phone cannot detect any beacons from the AP. The phone is either out of range of an AP or the AP may have unexpectedly stopped sending beacons.
Locating Network Services	CAC is enabled and the available bandwidth (Medium Times) has been reached per AP or channel.
Configuring IP	The phone is searching all beacons and scanning for a channel and SSID to use.

**Answer:**

Map the common status error message seen on a Cisco Unified Wireless IP Phone 7900 Series, in the left column, to its possible cause, in the right column.	
Network Busy	Configuring IP
Leaving Service Area	Leaving Service Area
Locating Network Services	Network Busy
Configuring IP	Locating Network Services

**Question No : 16**

What are the three fundamental properties that are provided by the antenna of an AP?  
(Choose three.)

- A. frequency
- B. gain
- C. dB loss
- D. polarization
- E. direction
- F. modulation

**Answer: B,D,F**

**Question No : 17**

In a VWLAN deployment, what autonomous ISO command should be used to ensure that VWLAN performance is not adversely impacted by an unexpected channel change resulting from a DFS event triggered by a nearby airport radar system?

- A. ap(config-if)#DFS band 1 block
- B. ap(config-if)#DFS band 23 block
- C. ap(config-if)#DFS band 123 block
- D. ap(config-if)#DFS band 13 block
- E. ap(config-if)#DFS band 2 block

**Answer: B**

**Question No : 18**

In which direction does application visibility and controller mark the DSCP value of the original Packet in the wireless LAN controller?

- A. in one direction, either upstream or downstream
- B. in one direction, downstream only
- C. in both direction upstream and down stream
- D. in one direction upstream only

**Answer: C**