

Cisco

Exam 600-502

Developing with Cisco Network Programmability

Version: 6.0

[Total Questions: 60]

Question No : 1

A stock brokerage firm requires that all trades are executed quickly with a minimal amount of delay due to network latency.

Which software requirement is recommended as part of a business requirement?

- A. The application shall process trades as soon as possible with no further delay.
- B. The application should provide high-availability features to continue trading activities even in case of a software or hardware failure.
- C. The application shall maintain the state of all active network links in real time and prioritize traffic flows that belong to trading activities on the links with lowest latency.
- D. The application should set the latency attribute to zero on packets that belong to the a trading action.

Answer: C

Question No : 2

You must develop an SDN application that meets these specifications. The solution must manage devices through a centralized controller to configure access control lists. The solution will monitor traffic at a packet level to determine which packets are coming from known rogue applications and/or devices. Identified traffic will be used as the basis to create new ACLs to be deployed back onto the network devices. The identification and provisioning steps should take no more than 100 milliseconds.

Which three design options must you consider to develop an SDN application that meets these specifications? (Choose three.)

- A. choice of programming and scripting language
- B. choice of service set
- C. choice of transport protocol
- D. choice of deployment model
- E. use of security and TLS
- F. hardware platforms involved

Answer: A,B,D

Question No : 3

Which programming language and Cisco onePK Service Set is required for an application that performs at the packet level?

- A. Java with Utility Service Set
- B. REST with Element Service Set
- C. Ruby with Routing Service Set
- D. Python with Routing Service Set
- E. REST with Utility Service Set
- F. C with Data Path Service Set
- G. Java with Developer Service Set

Answer: F

Question No : 4

An application that leverages the Cisco onePK Data Path Service Set requires that TCP frames are inspected and discarded under a set of conditions. The sender is not informed of the discard.

Which action does this scenario describe?

- A. bypass or offload
- B. DSCP marking
- C. drop
- D. purge
- E. L4 redirect

Answer: D

Question No : 5

You must document that before your application applies any configuration changes to a device, the application runs those changes through a set of predefined, automated consistency tests called "ACT-CHECK10". The application applies changes only after the test has completed without any ERRORS or WARNINGS.

Which statement about these requirements is true?

- A. The system should test the configuration before applying it.
- B. After applying the configuration changes the user should ping the device to ensure that everything still works.
- C. The system should run consistency checks prior to applying configuration changes.
- D. Prior to applying the configuration changes to the device, the system shall run consistency test ACT_CHECK10, and proceed to applying changes only if no errors and/or warnings are reported by the test.
- E. The system should call the function app.ACT_CHECK10("config-changes.txt") method and capture the output. The system shall then go through the output to count the number of ERRORS and WARNINGS reported by the test. If the total number of ERRORS and WARNINGS is equal to 0, the system shall proceed to run app.ApplyChanges("config-changes.txt").

Answer: D

Question No : 6

When an application must be developed that interacts with Cisco IOS, NX-OS, and IOS-XR devices, the application must use LDAP for authentication and have secure communication between the Cisco onePK application and managed device. The customer prefers the use of Java for follow-on supportability by their staff. The customer is familiar with the Eclipse IDE. Which application dependency is relevant?

- A. interaction with multiple device platforms – Cisco IOS, NX-OS, and IOS-XR
- B. use of LDAP for authentication
- C. use of secure communication between onePK app and the device
- D. choice of Java as programming language
- E. customer's familiarity with Eclipse IDE

Answer: B

Question No : 7

Which Cisco onePK API service provides path tracing capabilities?

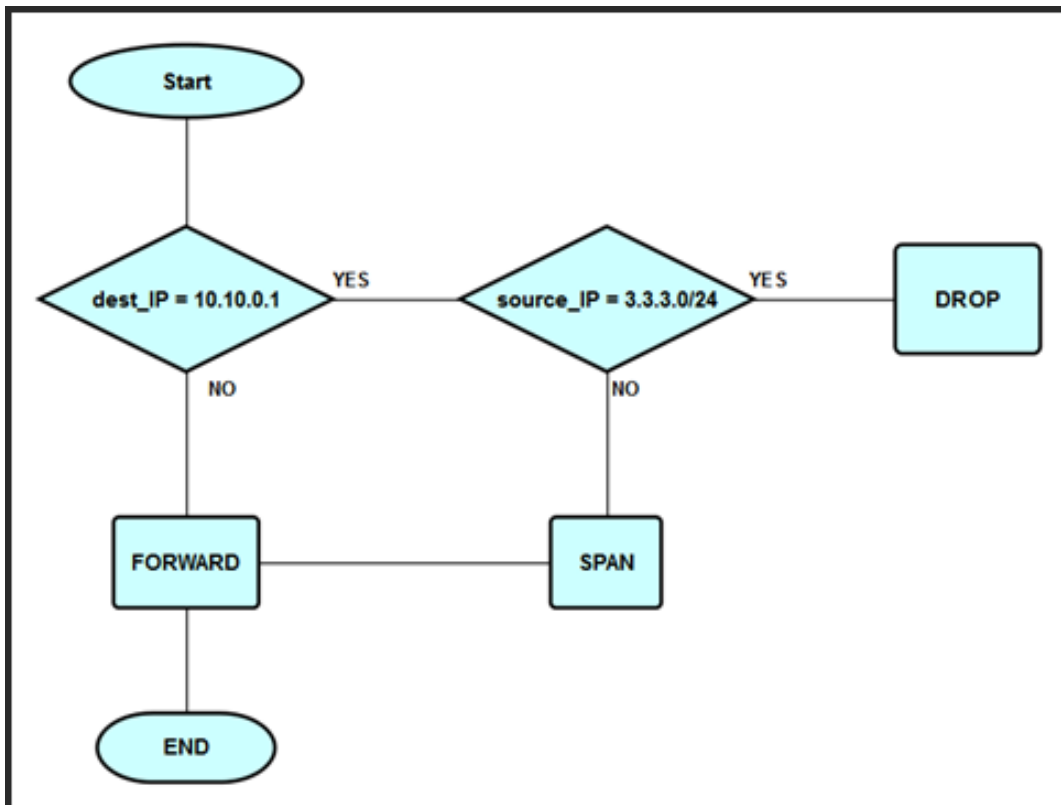
- A. Switching
- B. Routing
- C. Utility
- D. Data Path
- E. Developer

F. Discovery

Answer: C

Question No : 8

Refer to the exhibit.



Which two statements are true based on this flowchart? (Choose two.)

- A. All packets that are bound to host 10.10.0.1 are dropped.
- B. Packet with source IP 3.3.3.110 and destination IP 10.10.0.1 are spanned.
- C. All packets with source IP 3.3.3.110 and destination IP 10.10.0.1 are dropped.
- D. All packets from host 3.3.3.220 destined to host 10.10.0.1 are dropped or spanned.
- E. All traffic destined to host 10.10.0.1 is dropped or spanned.
- F. OpenFlow v1.0 only supports "flows" that are defined based on MAC addresses, not IP addresses.

Answer: C,D