

Cisco

Exam 640-864

Designing for Cisco Internetwork Solutions

Version: 34.0

[Total Questions: 241]

Question No : 1

Which Gigabit Ethernet media type provides the longest reach without a repeater?

- A. 1000Base-CX
- B. 1000Base-LX
- C. 1000Base-SX
- D. 1000Base-T

Answer: B

Question No : 2

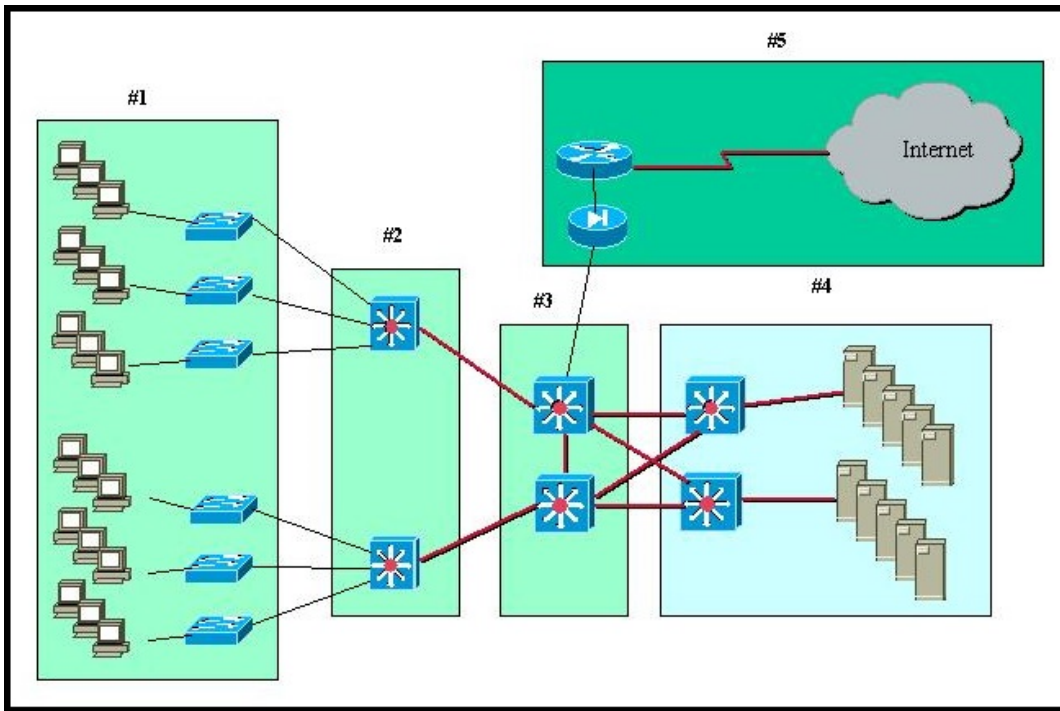
Which three are features of LWAPP? (Choose three.)

- A. firmware synchronization
- B. local management of APs
- C. configuration changes manually synced
- D. encryption of control channel
- E. configuration data only on the WLC
- F. wireless control free operation
- G. replaces 802.1x for authentication in wireless connections

Answer: A,D,E

Question No : 3

Refer to the exhibit. A standard Layer 2 campus network design is pictured. Which numbered box represents the core layer?



- A. #1
- B. #2
- C. #3
- D. #4
- E. #5

Answer: C

Question No : 4

Which interior routing protocol has the most preferable administrative distance by default?

- A. RIP
- B. OSPF
- C. EIGRP
- D. BGP
- E. IS-IS

Answer: C

Question No : 5

If a teleworker is required to access the branch office via a secure IPSEC VPN connection, which technology is recommended to provide the underlying transport?

- A. ISDN
- B. Metro Ethernet
- C. Frame Relay
- D. ADSL
- E. ATM

Answer: D

Question No : 6

Router A has three feasible successors to the 192.168.1.0/24 network, which are listed here:

Option 1 has a metric of 8123228.

Option 2 has a metric of 2195467.

Option 3 has a metric of 8803823.

The variance 4 command was issued on Router A. How many active entries does Router A have in its routing table for the 192.168.1.0/24 network?

- A. 0
- B. 1
- C. 2
- D. 3

Answer: C

Question No : 7

A network engineer must implement a design where LAN clients are to connect to various access layer devices, while remaining on the same VLAN . What type of design would support this requirement?

- A. routed

- B. switched
- C. tunneled
- D. virtual

Answer: B

Question No : 8

High availability is a key design consideration in the enterprise campus network. In a fully redundant topology, which is likely to provide faster IGP convergence during a failure?

- A. redundant supervisors
- B. redundant supervisors with Cisco Nonstop Forwarding (NSF) and Stateful Switchover (SSO)
- C. single supervisors with tuned IGP timers
- D. single supervisors

Answer: C

Question No : 9

Application servers require load balancing and security services. Where in the data center network should these services be provisioned?

- A. core
- B. aggregation
- C. Layer 3 access
- D. distribution

Answer: B

Question No : 10

Which two design criteria require VLANs in a proposed solution? (Choose two.)

- A. video streaming on the LAN
- B. security between departments

- C. the segmenting of collision domains
- D. the segmenting of broadcast domains
- E. the use of multivendor equipment
- F. a limited corporate budget

Answer: B,D

Question No : 11

You have a campus network that consists of only Cisco devices. You have been tasked to discover the device platforms, the IOS versions, and an IP address of each device to map the network. Which proprietary protocol will assist you with this task?

- A. SNMP
- B. TCP
- C. CDP
- D. ICMP
- E. LLDP

Answer: C

Question No : 12

Which design is the recommended geometric design for routed topologies?

- A. linear
- B. triangular
- C. rectangular
- D. circular

Answer: B

Question No : 13

Which two design approaches provide management of enterprise network devices?
(Choose two.)

- A. in-band
- B. out-of-line
- C. out-of-band
- D. in-line

Answer: A,C

Question No : 14 DRAG DROP

Drag the network characteristic on the left to the design method on the right which will best ensure redundancy at the building distribution layer.

Support Layer 2 VLANs spanning multiple access layer switches across the distribution switches

Layer 2 between distribution and access layers, with a Layer 3 link between the distribution switches

Convergence (FHRP) is not an issue

Layer 2 between distribution and access layers, with a Layer 2 link between the distribution switches

FHRP for convergence, no VLANs span between access layer switches across the distribution switches

VSS

Answer:

Drag the network characteristic on the left to the design method on the right which will best ensure redundancy at the building distribution layer.

Support Layer 2 VLANs spanning multiple access layer switches across the distribution switches

Support Layer 2 VLANs spanning multiple access layer switches across the distribution switches

Convergence (FHRP) is not an issue

FHRP for convergence, no VLANs span between access layer switches across the distribution switches

FHRP for convergence, no VLANs span between access layer switches across the distribution switches

Convergence (FHRP) is not an issue

Question No : 15

Which routing protocol classification should you use when full topology information is needed?

- A. link-state
- B. distance vector
- C. stateful
- D. path vector

Answer: A

Question No : 16

What are the three modes of unicast reverse path forwarding? (Choose three.)

- A. strict
- B. loose
- C. VRF
- D. global
- E. PIM
- F. local

Answer: A,B,C

Question No : 17

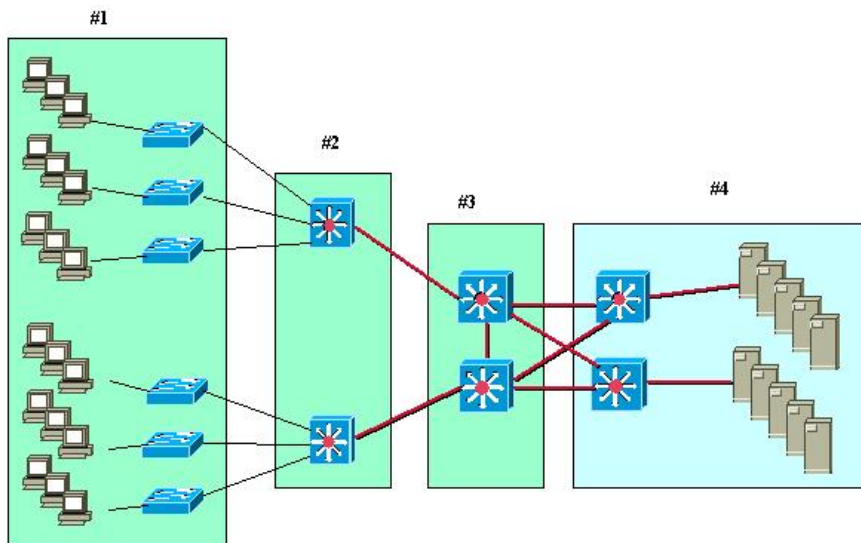
Spanning Layer 2 across geographically separate data centers is a key consideration for current data center designs. Which is the name of the NX-OS technology that facilitates MAC in IP transport for Layer 2 VLANs across any IP network?

- A. Overlay Transport Virtualization
- B. Virtual Private LAN Services
- C. Generic Routing Encapsulation
- D. QinQ tunneling

Answer: A

Question No : 18

Refer to the exhibit.



A standard, Layer 2 campus network design is pictured. Which numbered box represents the distribution layer?

- A. #1
- B. #2
- C. #3
- D. #4

Answer: B

Question No : 19

Which three are security services offered through Cisco Router Security? (Choose three.)

- A. Trust and Identity
- B. Integrated Threat Control
- C. Unified Wireless Network Security Solution
- D. Secure Connectivity
- E. Voice-Messaging Security
- F. Endpoint Security
- G. Virtual Security Gateway

Answer: A,B,D

Question No : 20

Which of these statements is true concerning the data center access layer design?

- A. The access layer in the data center is typically built at Layer 3, which allows for better sharing of services across multiple servers.
- B. With Layer 2 access, the default gateway for the servers can be configured at the access or aggregation layer.
- C. A dual-homing NIC requires a VLAN or trunk between the two access switches to support the dual IP addresses on the two server links to two separate switches.
- D. The access layer is normally not required, as dual homing is standard from the servers to the aggregation layer.

Answer: B

Question No : 21

A campus network needs end-to-end QoS tools to manage traffic and ensure voice quality. Which three types of QoS tools are needed? (Choose three.)

- A. interface queuing and scheduling
- B. congestion management
- C. compression and fragmentation
- D. bandwidth provisioning
- E. traffic classification
- F. buffer management

Answer: A,D,E

Question No : 22

What is the acceptable amount of one-way network delay for voice and video applications?

- A. 300 bytes
- B. 1 sec