

# Cisco

## Exam 640-911

### Introducing Cisco Data Center Networking

Version: 11.0

[ Total Questions: 209 ]

**Question No : 1**

How many bits are in an IPv4 address?

- A. 32
- B. 24
- C. 8
- D. 4

**Answer: A**

**Question No : 2**

Which two options are groups of network protocols that are categorized into the following OSI layers: application, data link, network, and transport? (Choose two.)

- A. FTP, LLDP, GRE, BGP
- B. RDP, CDP, EIGRP, UDP
- C. SSH, LLDP, ICMP, TCP
- D. Telnet, ICMP, EIGRP, FTP

**Answer: B,C**

**Question No : 3**

A customer wants to connect to their SAN via Fibre Channel. Which two devices can be used to provide connectivity? (Choose two.)

- A. Cisco MDS 9148 Multilayer Fabric Switch
- B. Cisco Nexus 7010 Switch
- C. Cisco Nexus 5548UP Switch
- D. Cisco Catalyst 6509 Switch
- E. Cisco Nexus 2248TP GE Fabric Extender

**Answer: A,C**

**Question No : 4**

Which device forwards data based on the destination IP address?

- A. repeater
- B. bridge
- C. switch
- D. router
- E. hub

**Answer: D**

**Question No : 5**

Which three options describe routers compared to switches? (Choose three.)

- A. use IP address tables for information lookup
- B. concerned with packet forwarding
- C. operate at Layer 3 of the OSI model
- D. operate at Layer 2 of the OSI model
- E. use MAC address tables for information lookup
- F. concerned with the local delivery of frames

**Answer: A,B,C**

**Question No : 6**

Which command should you use to configure a Cisco Nexus switch port for Layer 2 operation?

- A. nexus(config-if)#switchport
- B. nexus(config-if)#layer-2
- C. nexus(config-if)#routed
- D. nexus(config)#interface vlan 10nexus(config-if)#switchport

**Answer: A**

**Explanation:**

"If you want to configure a Layer 3 interface for Layer 2, enter the switchport command. Then, if you change a Layer 2 interface to a routed interface, enter the no switchport command."

[http://www.cisco.com/en/US/docs/switches/datacenter/nexus5000/sw/command/reference/ayer2/n5kl2\\_cmds\\_n.pdf](http://www.cisco.com/en/US/docs/switches/datacenter/nexus5000/sw/command/reference/ayer2/n5kl2_cmds_n.pdf)

**Question No : 7**

Which protocol operates at Layer 3 of OSI model and is used for host addressing?

- A. TCP
- B. UDP
- C. IP
- D. RIP
- E. OSPF

**Answer: C**

**Question No : 8**

Which two networking devices forward data based on destination MAC address? (Choose two.)

- A. Repeater
- B. Bridge
- C. Switch
- D. Router
- E. Hub

**Answer: B,C**

**Explanation:**

[http://www.cisco.com/en/US/prod/collateral/switches/ps9441/ps9670/white\\_paper\\_c11-465436.html](http://www.cisco.com/en/US/prod/collateral/switches/ps9441/ps9670/white_paper_c11-465436.html)

**Question No : 9**

What is the default periodic interval at which RIPv1 sends routing updates?

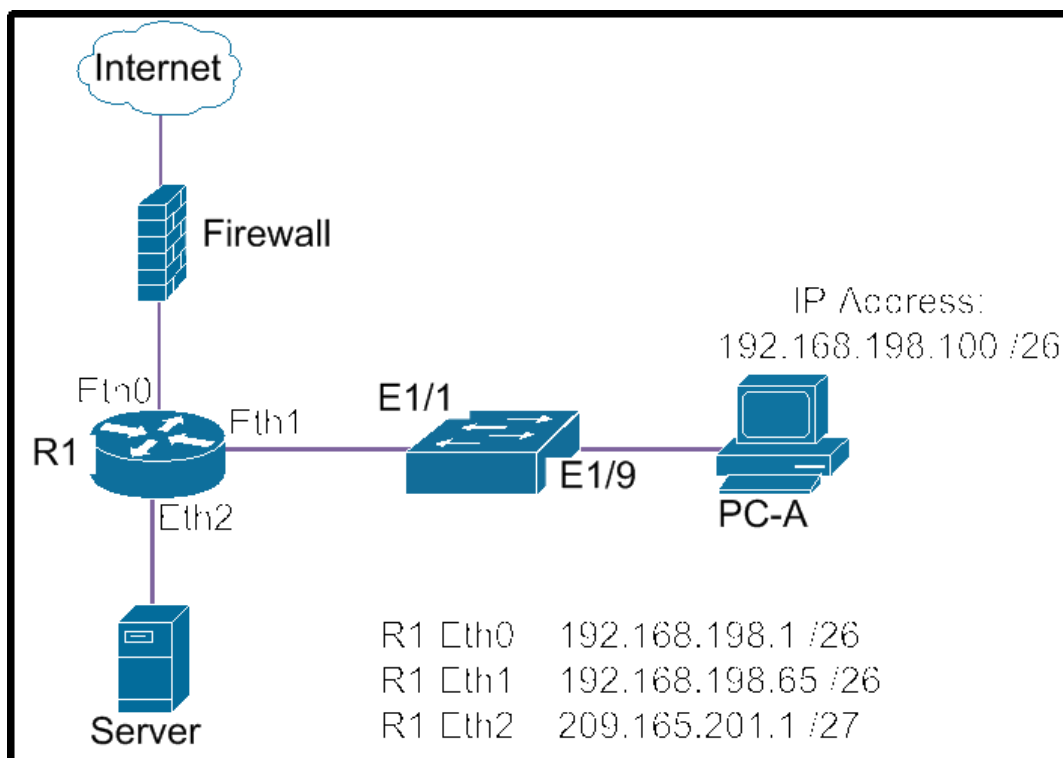
- A. 15 seconds
- B. 30 seconds
- C. 45 seconds
- D. 60 seconds
- E. 90 seconds
- F. RIPv1 only sends routing updates when the topology changes.

**Answer: B**

**Explanation:**

"Originally, each RIP router transmitted full updates every 30 seconds."

[http://en.wikipedia.org/wiki/Routing\\_Information\\_Protocol](http://en.wikipedia.org/wiki/Routing_Information_Protocol)

**Question No : 10**


Refer to the exhibit. When PC-A communicates with the Server what will the source MAC address be in the received frames at PC-A?

- A. MAC address of router interface Eth1
- B. MAC address of router interface Eth2
- C. MAC address of the NIC in the Server
- D. MAC address of switch interface E1/9

**Answer: A**

**Question No : 11**

What is the maximum distance that is supported by Cisco passive Twinax cables?

- A. 3 m
- B. 4 m
- C. 5 m
- D. 10 m

**Answer: C**

**Question No : 12**

What is the dotted hexadecimal representation of the IP address 172.13.99.225?

- A. AC.0D.63.E1
- B. AB.63.99.D5
- C. E2.1D.E1.66
- D. BC.0C.C3.1F
- E. CC.0D.F3.21

**Answer: A**

**Question No : 13**

Which two VTP modes allow the creation of local VLANs? (Choose two.)

- A. transparent
- B. native
- C. server
- D. client
- E. on

**Answer: A,C**

**Question No : 14**

Which network topology is most closely associated with classical CSMA/CD?

- A. bus
- B. token passing bus
- C. star
- D. extended star
- E. ring

**Answer: A**

**Explanation:**

"For the bus topology, the "classical" access methods are the CSMA/CD.."

[http://books.google.com/books?id=tmJzufisExQC&pg=PA39&lpg=PA39&dq=classic+CSMA/CD+bus+topology&source=bl&ots=b1L\\_uaAcVR&sig=Tx8zflavph8RFR9N5n5EDv2WZZo&hl=ru&sa=X&ei=jnDmUsTTD4no4gSd\\_oGwCw&ved=0CCwQ6AEwAQ#v=onepage&q=classic%20CSMA%20FCD%20bus%20topology&f=false](http://books.google.com/books?id=tmJzufisExQC&pg=PA39&lpg=PA39&dq=classic+CSMA/CD+bus+topology&source=bl&ots=b1L_uaAcVR&sig=Tx8zflavph8RFR9N5n5EDv2WZZo&hl=ru&sa=X&ei=jnDmUsTTD4no4gSd_oGwCw&ved=0CCwQ6AEwAQ#v=onepage&q=classic%20CSMA%20FCD%20bus%20topology&f=false)

**Question No : 15**

What is the maximum number of fabric modules that can be installed in a Cisco Nexus 7000 chassis?

- A. 4
- B. 5
- C. 6
- D. 7

Answer: B

Question No : 16 HOTSPOT

**Instructions**

Click on either Cisco Nexus 7010 in the topology to gain console access.

**Scenario**

The following five questions concern the Cisco 7010s in the topology, which are at the core of a data center network. You can use all the available **show** commands to answer the questions. Access to the running-configurations is not allowed.

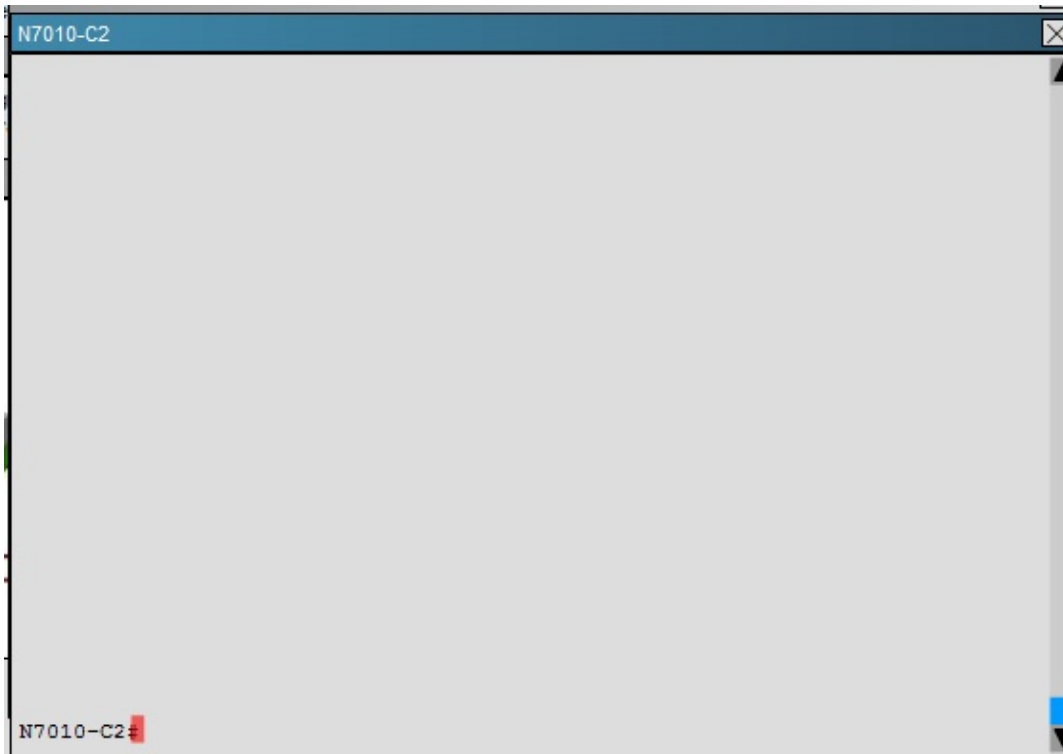
**Exhibit1**

The diagram illustrates a vPC configuration between two Nexus 7010 switches (N7010-C1 and N7010-C2) connected to two S6100 switches (S6100-A and S6100-B). The Nexus switches are connected to the S6100 switches via Ethernet (E2) interfaces. The S6100 switches are connected to EMC storage units (EMC1 and EMC2) via Fibre Channel (Fc) and Ethernet (E2) interfaces. The Nexus switches are also connected to the EMC units via Fibre Channel (FC) and Ethernet (E2) interfaces. The S6100 switches are connected to the EMC units via Fibre Channel (Fc) and Ethernet (E2) interfaces.

**N7010-C1**

N7010-C1#





Answer:

Questions ✕

1 For which VLANs is N7010-C1 the root bridge?

2  1-1005

3  750-759, 1006-1010

4  1-69

5  99, 750-759, 990, 1006-1010

**Explanation:**

99, 750-759, 990, 1006-1010

Use the “show spanning tree” command to see which switch is the root for each VLAN.

**Question No : 17**

Which two layers of the OSI model relate to the transmission of bits over the wire and packet forwarding based on destination IP address? (Choose two.)

- A. 1
- B. 2
- C. 3
- D. 4
- E. 5

**Answer: A,C**

**Explanation:**

Bits - 1 layer