

Cisco

Exam 642-999

Implementing Cisco Data Center Unified Computing

Version: 9.0

[Total Questions: 173]

Question No : 1 HOTSPOT

<p>Instructions</p> <p>Open the windows by clicking on the minimized title at the bottom of the viewing area. Windows can be minimized by clicking on the [-], repositioned by dragging the title bar, and resized by using the handle at the lower right corner to customize the viewing area.</p> <p>If you are required to access the devices to complete this scenario, the mouse cursor will use a hand symbol when moved over device icons. Click the icon to open a device terminal to interact with the hardware.</p> <p>Open the Questions window and begin by clicking a question number. When you have completed answering all questions, click Done to continue.</p>	<p>Scenario</p> <p>Use your UCS knowledge on Fabric Interconnect Failover to answer the questions associated with the UCS cluster.</p>
---	---

```

Exhibit1
UCS-A# show cluster state
Cluster Id: 0xf0436fa8b88511e0-0xa370000573cb6c04

A: UP, PRIMARY
B: UP, SUBORDINATE

HA READY
UCS-A# connect local-mgmt
Cisco Nexus Operating System (NX-OS) Software
TAC support: http://www.cisco.com/tac
Copyright (c) 2002-2011, Cisco Systems, Inc. All rights reserved.
The copyrights to certain works contained in this software are
owned by other third parties and used and distributed under
license. Certain components of this software are licensed under
the GNU General Public License (GPL) version 2.0 or the GNU
Lesser General Public License (LGPL) Version 2.1. A copy of each
such license is available at
http://www.opensource.org/licenses/gpl-2.0.php and
http://www.opensource.org/licenses/lgpl-2.1.php

UCS-A(local-mgmt)# cluster lead b
UCS-A(local-mgmt)#
  
```

1 Which statements is true regarding the Fabric Interconnect Failover configuration changes?

2

3

- High availability is being setup so that cluster a and b can both be subordinate or primary.
- The fabric interconnect b changes from subordinate to primary.
- High availability is setup so that fabric interconnect will keep a to be primary and b will be lead.
- The Fabric interconnect can have two lead states, so that b will switch to primary and a will stay primary.

Answer:

1 Which statements is true regarding the Fabric Interconnect Failover configuration changes?

2

3

- High availability is being setup so that cluster a and b can both be subordinate or primary.
- The fabric interconnect b changes from subordinate to primary.
- High availability is setup so that fabric interconnect will keep a to be primary and b will be lead.
- The Fabric interconnect can have two lead states, so that b will switch to primary and a will stay primary.

Explanation: The fabric interconnect b changes from subordinate to primary

Question No : 2

Which three items must be configured in the Port Profile Client in Cisco Unified Computing System Manager? (Choose three.)

- A. port profile
- B. DVS
- C. data center
- D. folder
- E. VMware vCenter IP address
- F. VM port group

Answer: B,C,D

Question No : 3

When configuring roles in the Cisco UCS C-Series, which role should be assigned for a person who must be allowed to power on the server and install a hypervisor using virtual media, but not allowed to configure other Cisco Integrated Management Controller settings?

- A. read-only
- B. user
- C. VM admin
- D. admin

Answer: B

Question No : 4

Refer to the exhibit.

```
FI-B(nxos)# show ip igmp snooping vlan 100
IGMP Snooping information for vlan 100
IGMP snooping enabled
Optimised Multicast Flood (OMF) disabled
IGMP querier none
Switch-querier disabled
IGMPv3 Explicit tracking enabled
IGMPv2 Fast leave disabled
IGMPv1/v2 Report suppression enabled
IGMPv3 Report suppression disabled
Link Local Groups suppression enabled
Router port detection using PIM Hellos, IGMP Queries
Number of router-ports: 0
Number of groups: 0
VLAN vPC function disabled
Active ports:
  Eth1/20      Eth1/32 Po1      Po21
  Po22        Po30
```

Based on the output, which statement about the fabric interconnect is true?

- A. The fabric interconnect floods multicast traffic in VLAN 100.
- B. 10 groups in the fabric interconnect have been configured for VLAN 100 access.
- C. After adding VLAN 100, no other changes were made.
- D. IGMP snooping was enabled by the admin for VLAN 100.

Answer: D

Question No : 5

The Cisco UCS 6200 Series Fabric Interconnects offer a new feature that allows dynamic port allocation for all of the 10 Gigabit Ethernet interfaces. What are these ports called?

- A. universal ports
- B. flex ports
- C. unified ports
- D. converged ports

Answer: C

Question No : 6

Scenario

In this scenario, you will refer to screenshots about Cisco UCS B-Series servers and UCS Manager.

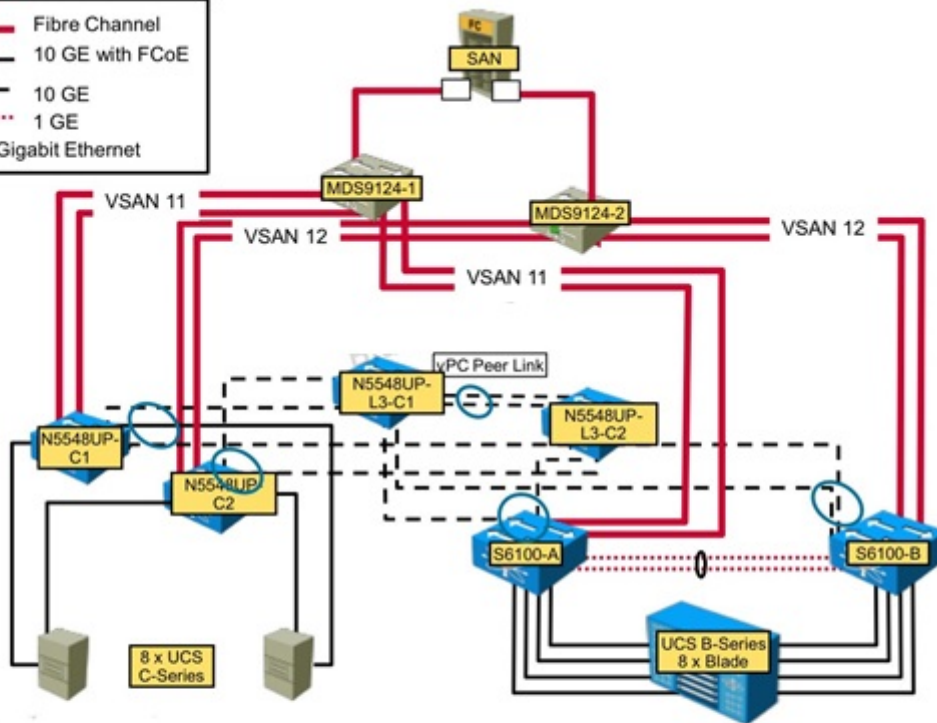
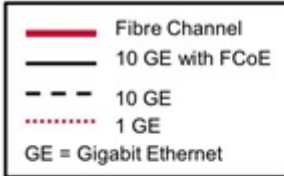
Instructions

To access the multiple-choice questions, click on the numbered boxes on the left of the top panel.

There are four multiple-choice questions with this task.

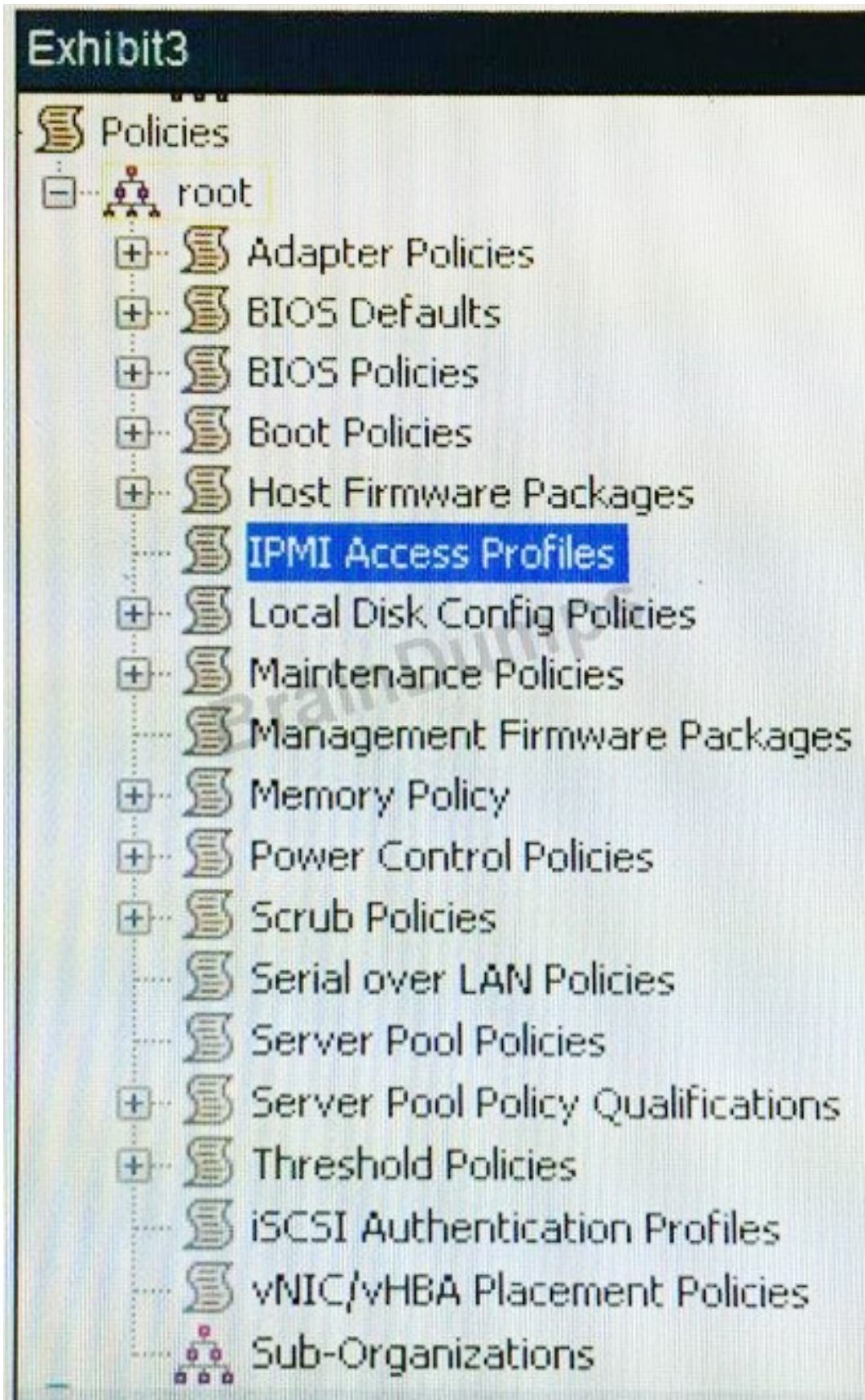
Be sure to answer all four questions before selecting the Next button.

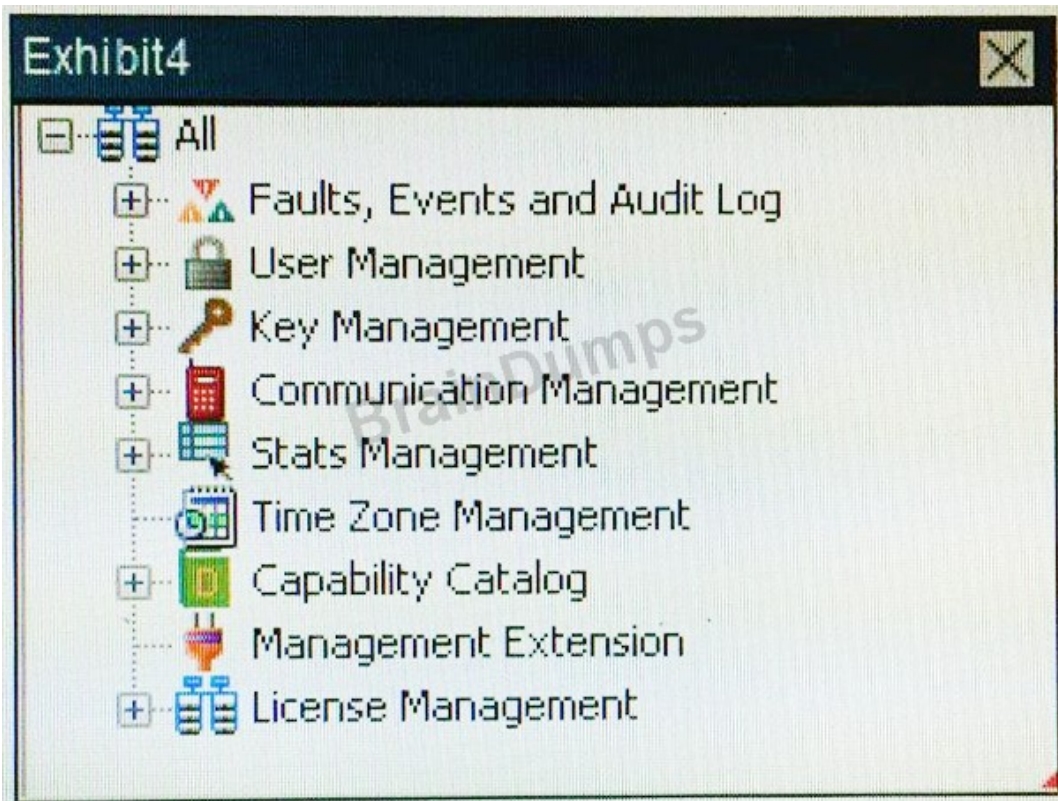
Legend:



```

Exhibit2
interface Vethernet749
  description server 1/1, VNIC vNIC0
  switchport mode trunk
  untagged cos 4
  no pinning server sticky
  pinning server pinning-failure link-down
  
```





Which log would you view to determine which UCS Manager user modified a Service Profile?

- A. Events
- B. Audit
- C. Syslog
- D. SEL

Answer: D

Reference:

http://www.cisco.com/c/en/us/td/docs/unified_computing/ucs/sw/gui/config/guide/20/b_UCSM_GUI_Configuration_Guide_2_0/b_UCSM_GUI_Configuration_Guide_2_0_chapter_01

01101.html

Question No : 7

Which three components perform the port extension functions for a Cisco UCS domain?
(Choose three.)

- A. the multiprotocol port on the Cisco storage
- B. the Device Manager in Cisco Prime Data Center Network Manager
- C. the Cisco UCS 2208XP IOMs
- D. the Cisco UCS Manager
- E. the Cisco Nexus 2232PP FEX
- F. the Cisco UCS VIC adapter that has VM-FEX and Adapter FEX technology

Answer: A,C,D

Question No : 8

Which of the following is true with respect to hardware failover or NIC teaming within a Cisco Unified Computing System?

- A. Hardware failover is specified by the operating system.
- B. An uplink failure when using automatic pinning requires that hardware failover for the server vNIC be disabled.
- C. NIC teaming is controlled by the vNIC.
- D. The hardware failover option that is available for Ethernet does not affect Fibre Channel traffic.

Answer: D

Question No : 9

While configuring communication between vCenter and Cisco UCS, which two items are contained in the extension file? (Choose two.)

- A. extension key
- B. plug-in version information
- C. SSL private certificate
- D. Cisco UCS Manager SSL public certificate
- E. SSH public key

- F. Cisco UCS Manager admin credentials
- G. IP address of the hosts utilizing VM link
- H. vCenter SSL public certificate

Answer: A,D

Question No : 10

In a standalone Cisco UCS C-Series server, which recommendations can be used to upgrade the BIOS?

- A. Cisco IMC
- B. Cisco UCS Manager
- C. iFlash32 Utility
- D. Flash ROM Utility
- E. EFI Interface
- F. Cisco Host Upgrade Utility
- G. USB Flash Utility

Answer: F

Question No : 11

Which BIOS setting is required for a VMware ESXi 5.0 host to support Cisco VM-FEX universal passthrough mode?

- A. VT for Directed IO
- B. ACPI 10 Support
- C. VEMDPA Agent
- D. Execute Disabled Bit
- E. Processor C State

Answer: A

Question No : 12 DRAG DROP