

# IBM

## Exam A2180-178

### IBM WebSphere Lombardi Edition V7.2, BPM Development

Version: 6.0

[ Total Questions: 48 ]

**Question No : 1**

A developer is integrating WebSphere Lombardi Edition with an external system using a SOAPconnector. What language should the developer use in the SOAP request for the integration to function properly?

- A. XML
- B. XSLT
- C. HTML
- D. XHTML

**Answer: A**

**Question No : 2**

A developer builds an integration service using a Java Integration Component, and wants the result of the Java method that is invoked to be serialized and returned to the Integration service as an XML element. What must the developer do to ensure this?

- A. Enable the Translate JavaBeans check box.
- B. Nest the Integration service in another service.
- C. Choose the method that you want to call on the class.
- D. Click the Variables tab for the Integration service to add any input variables.

**Answer: A**

**Question No : 3**

A developer requires a service to query a database. The database does not have any restrictions on user/system permissions or on the operations allowed to be performed by users/systems. Which of the following operations can the developer perform on the database with the SQL Execute Statement service?

- A. Read, write and update
- B. Read only, not write or update
- C. Read only, not write or update, and binary large objects (BLOB) data types cannot be read
- D. Read, write and update, but binary large objects (BLOB) data types cannot be read, written, or updated

**Answer: A**

**Question No : 4**

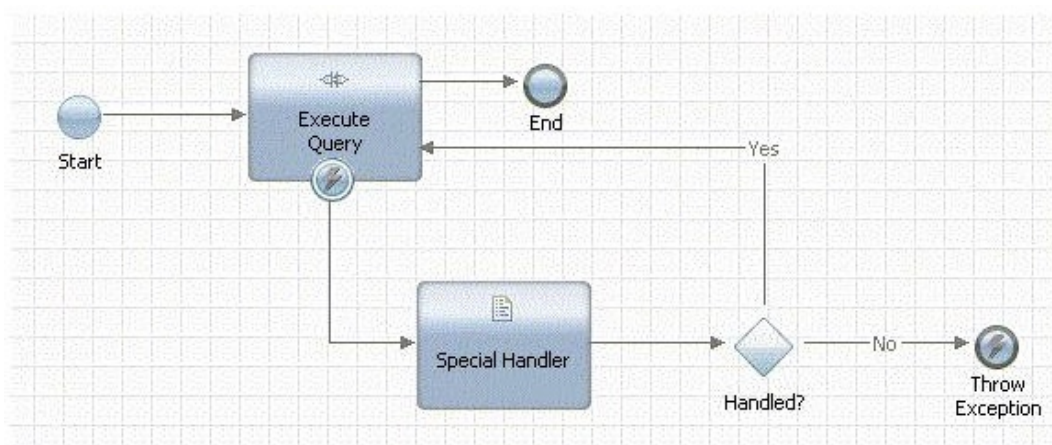
A developer needs to use the static custom Java API that was developed by another development team. The developer needs to use that custom API directly in the Lombardi process application and toolkits. Which one of the following connectors must the developer use to fulfill the above requirement?

- A. API Connector
- B. HTTP Connector
- C. Java Connector
- D. SOAP Connector

**Answer: C**

**Question No : 5**

A developer implements the following service:



What does the developer find after the service attempts to handle the exception if the Special Handler script fails?

- A. The service is terminated.
- B. The script is executed repeatedly until the error is resolved.
- C. The service throws the exception to be caught by a higher level service or process.
- D. An exception is caught and processed within the current activity and then the service

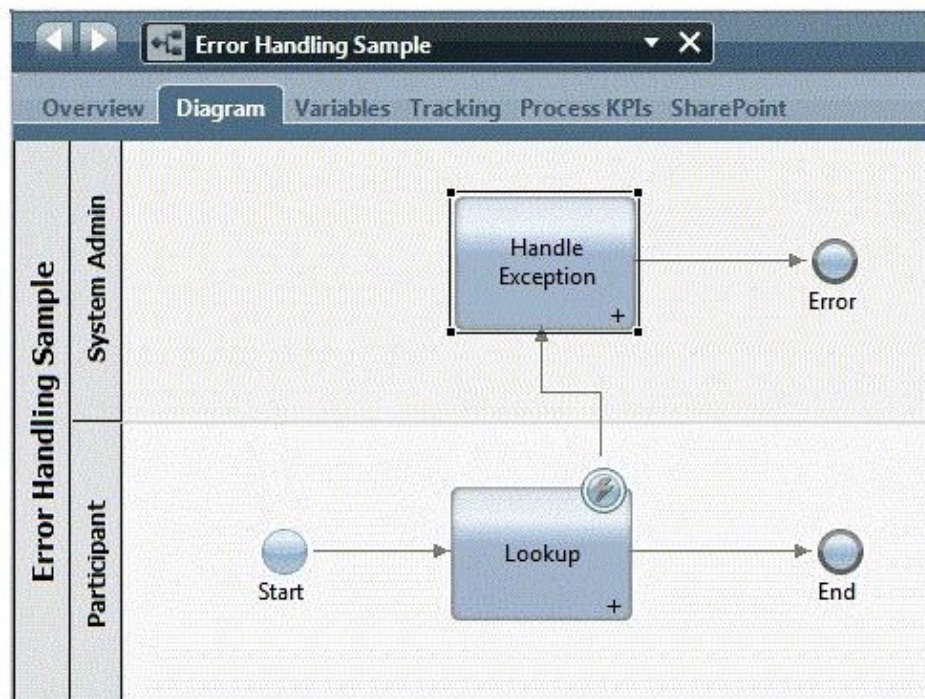
terminates.

**Answer: C**

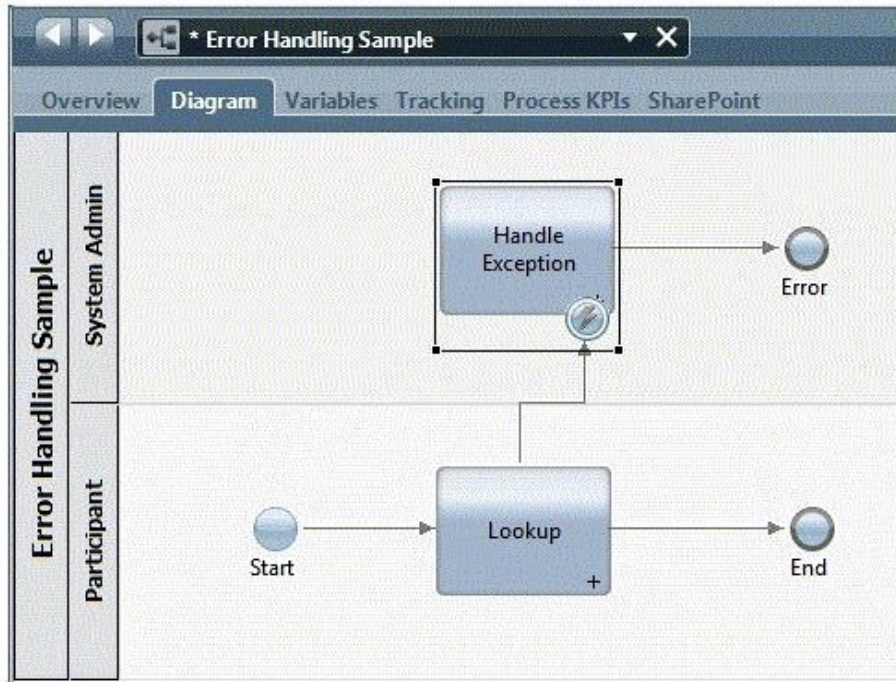
**Question No : 6**

A developer needs to ensure that any exceptions that might occur during process execution are handled, and chooses to create a high-level Business Process Definition (BPD) to call the activity. Which high-level BPD should the developer create?

A.



B.



C.

