

HP

Exam HP0-J24

Designing and Implementing HP Enterprise Backup Solutions

Version: 5.0

[Total Questions: 225]

Topic 0, D

D

Question No : 1 - (Topic 0)

Which document should be used to identify supported operating systems, storage systems, and server rules that are used with the EBS in a heterogeneous operating system SAN?

- A. EBS Design Guide
- B. HP Product Bulletin
- C. EBS Compatibility Matrix
- D. HP Storage Works SAN Design Guide

Answer: A**Question No : 2 - (Topic 0)**

Which library would you choose for a customer who has a small EVA data center with growing amounts of data?

- A. EML71e
- B. ESL9322
- C. MSL6060
- D. ESL E-Series

Answer: A**Question No : 3 - (Topic 0)**

A customer is considering implementing a disk-based backup solution. What are the benefits of a virtual library system compared to an application-based, write-to-disk environment? (Select three.)

- A. no device side data compression
- B. sets up and looks like a physical library
- C. storage efficiency gained through compression
- D. free or licensed per TB in most backup applications
- E. hardware devices tuned for sequential read and write operations
- F. easy configuration by RAID groups, LUNs, volumes, and file systems

Answer: B,C,E

Question No : 4 - (Topic 0)

A customer is running an EVA-based Near-Online backup and restore solution that is no longer meeting their performance and space requirements. What is a possible solution?

- A. Implement an HP Polyserve cluster.
- B. Add more spindles to the SATA pool.
- C. Implement a Virtual Library System solution.
- D. Use EVA File Services as the Near-Online Disk.

Answer: C

Question No : 5 - (Topic 0)

Which resource indicates if backup products are supported in the customer's environment?

- A. Sales Builder
- B. HP StorageWorks EBS Design Guide
- C. HP StorageWorks EBS Compatibility Matrix
- D. Deal Exception Hardware and Software Matrix

Answer: C

Question No : 6 - (Topic 0)

What is a benefit of a disk-to-disk-to-tape backup configuration in an Enterprise Backup Solution?

- A. The backup application backs up the primary disk data to the staging disk, allowing for quick restores of single files.
- B. The backup data are copied to a host-managed, low-cost disk to facilitate restores and enable short term archival storage.
- C. All file transfers are controlled by the storage system software, and transfer to tape occurs through servers that send the data.
- D. Because the speed of staging disks is much higher than the tape speed, the window for disk-to-disk-to-tape backup shrinks dramatically.

Answer: A

Question No : 7 - (Topic 0)

Who is a typical candidate for an HP StorageWorks VLS12000 Gateway?

- A. a customer with cost or rack space concerns
- B. a customer who relies on EVA or wants to re-provision EVAs between Block and Backup use models
- C. a customer who wants ease of management through an appliance model with no array management requirements
- D. a customer who wants to accelerate backup and recovery of slow SAN servers in small to medium enterprise environments

Answer: B

Question No : 8 - (Topic 0)

You are designing an Enterprise Backup Solution and calculating the quantity of retained media. What is the formula for calculating the capacity of each tape?

- A. Tape Capacity = native capacity x total data
- B. Tape Capacity = total data x compression ratio
- C. Tape Capacity = native capacity x compression ratio
- D. Tape Capacity = compression ratio x incremental data size

Answer: C

Question No : 9 - (Topic 0)

Which solution obtains maximum capacity from a VLS9000?

- A. one VLS9000 array for every VLS9000 node installed
- B. two VLS9000 arrays for every VLS9000 node installed
- C. four VLS9000 arrays for every VLS9000 node installed
- D. eight VLS9000 arrays for every VLS9000 node installed

Answer: B

Question No : 10 - (Topic 0)

What is an advantage of an Extended Tape Library Architecture for a customer with a SAN environment?

- A. It enables automatic failover of tape libraries.
- B. It simplifies setup and configuration of tape libraries.
- C. It allows grouping of physical libraries to form one Virtual Tape Library.
- D. It provides a higher throughput from disk to tape, using multiple Fibre Channel interfaces in parallel.

Answer: B

Question No : 11 - (Topic 0)

Which drive type is configured in an MSL4048 Tape Library to get a maximum transfer rate of 2.3TB/hr?

- A. LTO-3 Ultrium 920 (four drives)
- B. LTO-3 Ultrium 960 (two drives)
- C. LTO-4 Ultrium 1760 (four drives)
- D. LTO-4 Ultrium 1840 (two drives)

Answer: C

Question No : 12 - (Topic 0)

A backup environment is being designed for a customer who requires a library that can expand to 4 Ultrium 1760 drives and have a minimum of 40 slots with all mail slots enabled. Which library meets the customer's requirements in the most cost-effective manner?

- A. EML71e
- B. MSL8096
- C. MSL4048
- D. MSL6060

Answer: B

Question No : 13 - (Topic 0)

What are the implications of an LTO4 tape drive Back-Hitching?

- A. The drive is reading previous LTO tape versions.
- B. The drive is operating at its optimum performance.
- C. The feed speed from the host is too slow causing the drive to have reduced performance.
- D. More data streams are being sent to the drive because data are being written at a reduced rate.

Answer: C

Question No : 14 - (Topic 0)

Which HP Virtual Library System provides software compression as a data compression feature?

- A. HP VLS12000 EVA Gateway System
- B. HP StorageWorks 9000 Virtual Library System
- C. HP StorageWorks 6218 Virtual Library System
- D. HP StorageWorks 6653 Virtual Library System

Answer: C

Question No : 15 - (Topic 0)

A customer has an MSL6060 Tape Library with four tape drives. The library is directly attached to a server with SCSI HBAs and has no cards in the cPCI slots. The customer wants to share the tape library in a SAN environment. Which hardware changes to the library are needed, assuming that all other components in the SAN already exist? (Select two.)

- A. Add a Network Storage Router M2402 to the SAN and connect the tape drives to the router.
- B. Connect a Fibre cable from the existing Library Controller board into a Fibre Channel switch.
- C. Remove the existing Library Controller board and replace it with a Fibre Channel Library Controller board.
- D. Add one e2400-160 Interface Controller into a cPCI slot and connect the tape drives to the Interface Controller.
- E. Add two e1200-160 Interface Controllers to the cPCI slots and connect the tape drives to the Interface Controllers.

Answer: A,E

Question No : 16 - (Topic 0)

What does the color red signify in the EBS Compatibility Matrix?

- A. vendor supplied information
- B. items that are no longer supported
- C. the presence of footnotes for the item
- D. fields that have been updated or changed

Answer: D

Question No : 17 - (Topic 0)

Which profile mode should you use for the VCB proxy server when VMware datastores are residing on HP StorageWorks EVA storage arrays?

- A. Linux Host
- B. Custom host
- C. VMware Host
- D. Windows host

Answer: D

Question No : 18 - (Topic 0)

Which class of libraries supports partitioning?

- A. HP StorageWorks Autoloaders
- B. Business Class Tape Libraries
- C. HP StorageWorks D2D Backup Systems
- D. HP StorageWorks EML E-Series Libraries

Answer: D

Question No : 19 - (Topic 0)

HP HP0-J24 : Practice Test

A customer with four ProLiant servers with Windows 2000 maintains a large Oracle database. The customer has not selected a backup method and must determine which solution would best meet the company's needs. What information can the HP StorageWorks Backup Sizing Tool provide? (Select three.)

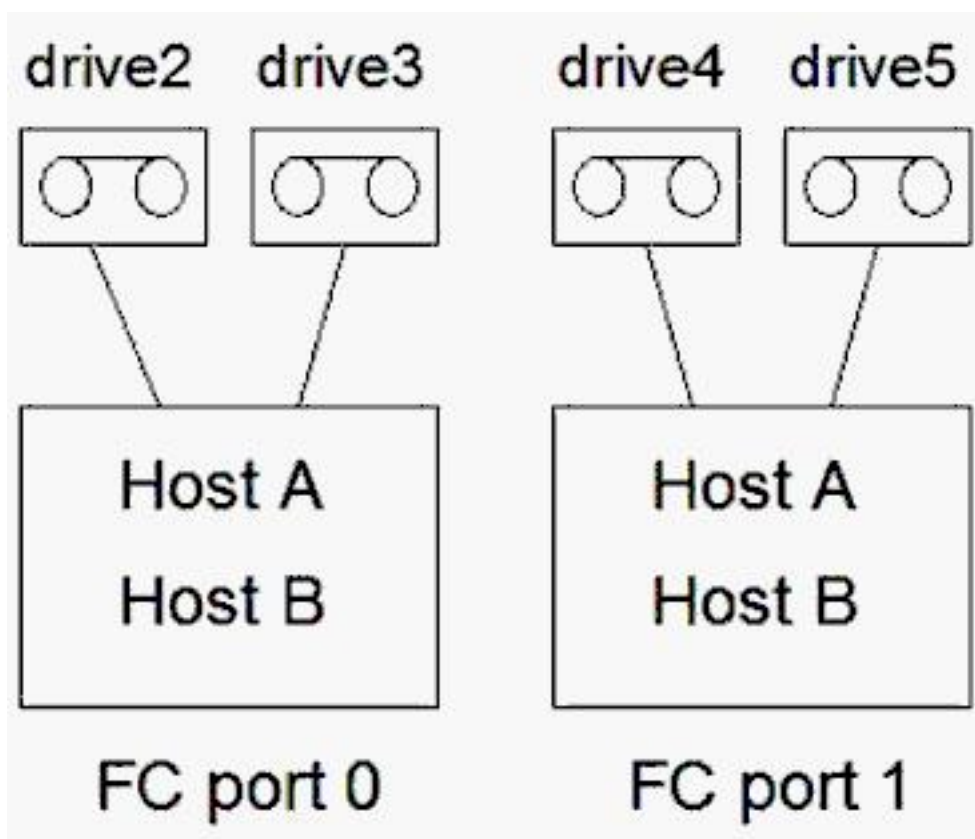
- A. EBS software required
- B. backup window required
- C. number of NSRs required
- D. type of tape drive required
- E. number of disk drives required
- F. number of tape drives required

Answer: C,D,F

Question No : 20 - (Topic 0)

Click the Exhibit button.

You are discussing an Enterprise Backup Solution with a customer who wants to implement the backup design shown in the exhibit. What are the benefits of this configuration? (Select two.)



- A. There is increased failover during backups.

- B. There is better throughput with more drives.
- C. The number of tape drives used during backups is maximized.
- D. It will be possible for more tape drives to be idle during backup.
- E. Any tape drive can be accessed through either Fibre Channel port.

Answer: C,E

Question No : 21 - (Topic 0)

Which document or tool helps to determine the HP qualified configurations for a specified backup solution?

- A. HP Product Bulletin
- B. HP StorageWorks Sizing Tool
- C. HP StorageWorks EBS Design Guide
- D. HP StorageWorks EBS Compatibility Matrix
- E. HP StorageWorks SAN Design Reference Guide

Answer: D

Question No : 22 - (Topic 0)

Which statement is true about using the Echo Copy function in a backup environment of a VLS6200?

- A. The copy is under the control of the backup application.
- B. The dedicated copy server is mandatory for the use of the echo copy.
- C. The physical cartridges and matching virtual cartridges are synchronized.
- D. The additional backup application drive license is needed for the tape drive.

Answer: C

Question No : 23 - (Topic 0)

What are features of the SDLT drive? (Select three.)

- A. memory-in-cassette
- B. optical servo tracking
- C. helical scan recording

- D. magneto-resistive cluster heads
- E. fewer roller guides than DLT drives

Answer: B,D,E

Question No : 24 - (Topic 0)

Which two-stage backup configuration would you recommend to SMB customers who want a solution that is easy to install and manage?

- A. D2D Backup System
- B. Mezzanine Backup Solution
- C. VLS1000i with MSL2024 Tape Libraries
- D. MSA2000fc with MSL2048 Tape Libraries

Answer: A

Question No : 25 - (Topic 0)

What is a benefit of a backup to disk strategy?

- A. It provides data protection and online access to backup data.
- B. It is the safest way to store low-access backup and archive data for the long term.
- C. It enables non-disruptive scalability by Real Time Growth and Capacity on Demand.
- D. It lowers total cost of ownership by reducing time spent managing storage, service costs, and software licenses.

Answer: A

Question No : 26 - (Topic 0)

Click the Exhibit button.

Which tape cartridges can be labeled with the barcode label shown in the exhibit?