

# Juniper

## Exam JN0-1300

**Juniper Networks Certified Design Specialist, Data Center**

Version: 6.0

**[ Total Questions: 65 ]**

**Question No : 1**

Which control plane routing protocol provides the greatest scalability for a Clos IP fabric?

- A. OSPF
- B. MPLS
- C. BGP
- D. IS-IS

**Answer: C**

**Question No : 2**

You are configuring a chassis cluster consisting of two SRX5800s in your data center. These two devices will be using redundant Ethernet interfaces.

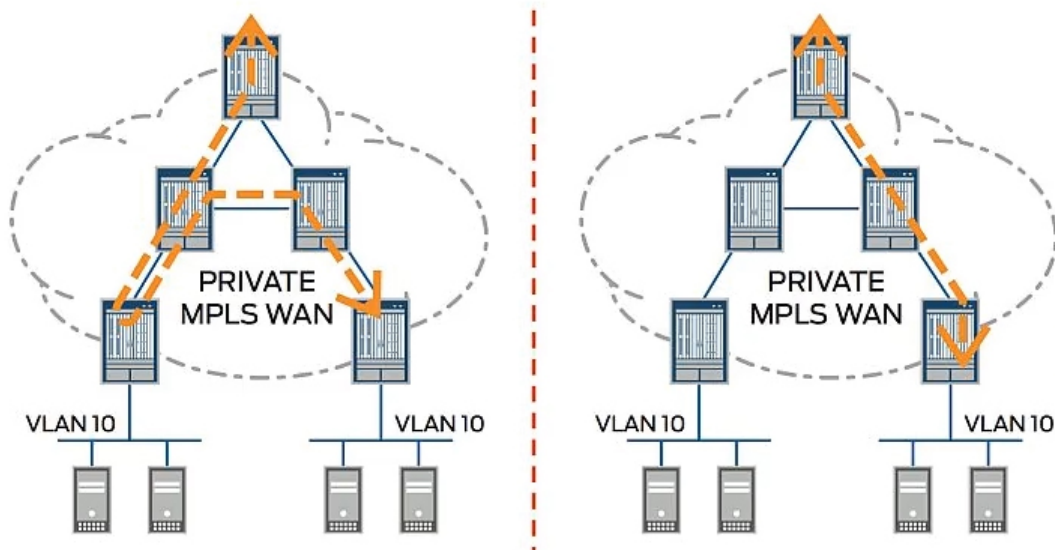
In this scenario, which three statements are correct? (Choose three.)

- A. Redundant Ethernet interfaces are control plane links.
- B. Redundant Ethernet interfaces can operate at 100 Mbps, 1 Gbps, or 10 Gbps
- C. Redundant Ethernet interfaces support multiple VLANs.
- D. Redundant Ethernet interfaces support link aggregation groups.
- E. Redundant Ethernet interfaces can only use fiber-optic connections.

**Answer: B,C,D**

**Question No : 3**

Click the Exhibit button.



A virtual machine was moved from a customer's New York data center to their Los Angeles data center. The virtual machine will continue to send inter-VLAN packets to the New York data center default gateway until the ARP timer expires. The customer wants to optimize routing to the shortest time possible.

Which solution will meet the requirement?

- A. VXLAN with VMware NSX distributed router
- B. EVPN with Virtual Machine Traffic Optimization
- C. standard IP routing with proxy ARP
- D. VPLS with MAC movement automation

**Answer: B**

Reference: <http://www.juniper.net/assets/us/en/local/pdf/whitepapers/2000596-en.pdf> Page 6 and 7.

**Question No : 4**

Which Junos NFV device is used to provide security in virtualized environments?

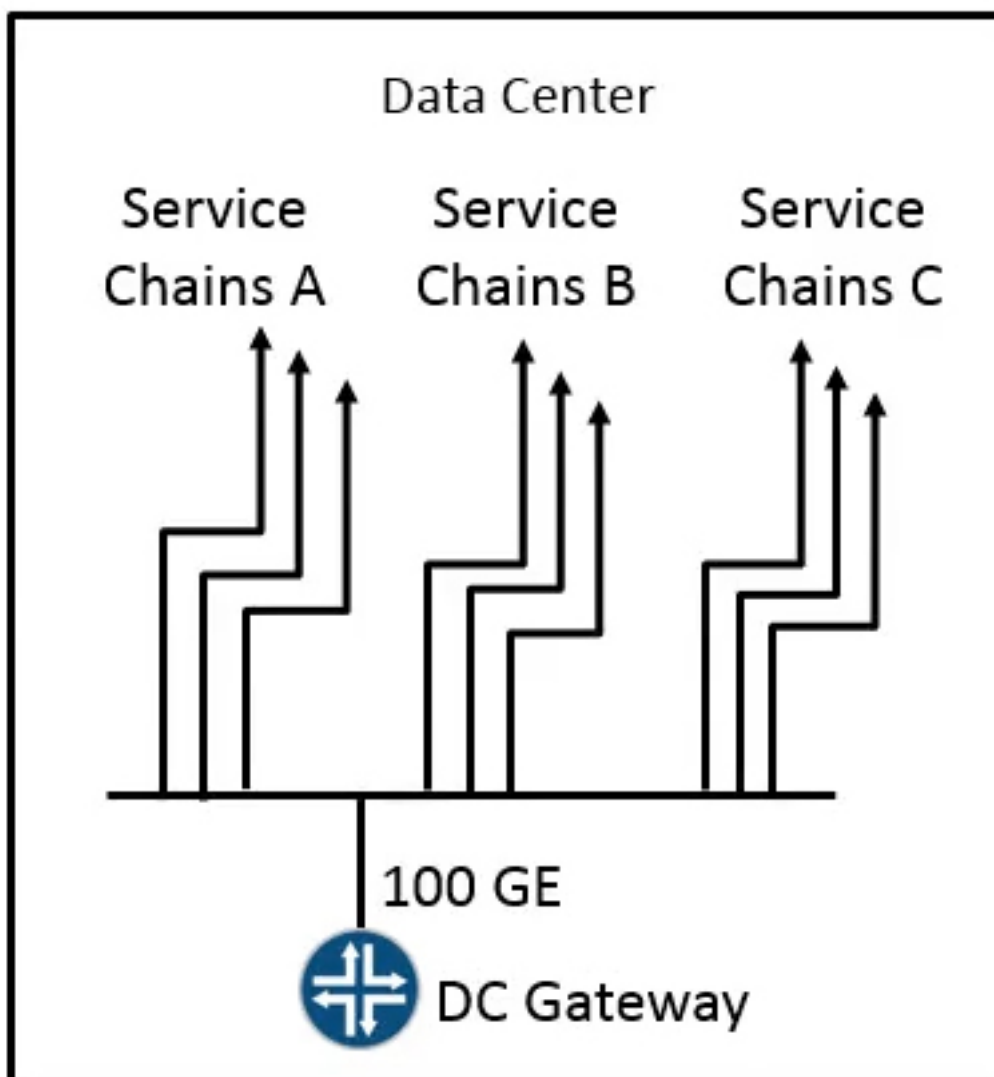
- A. TCA6000
- B. SSG20
- C. IC6500
- D. vSRX

**Answer: D**

Reference: <http://www.juniper.net/us/en/local/pdf/datasheets/1000489-en.pdf>

**Question No : 5**

Click the Exhibit button.



The exhibit shows a data center that terminates all of the service chains into VRFs on the DC Gateway router. However, the DC Gateway router is reaching the limit of VRFs supported. Each service chain uses around 1.5 Gbps of bandwidth.

According to Juniper Networks, what should you recommend to overcome this problem?

- A. Deploy MX104s and terminate each service chain in a different VRF on each MX Series device.
- B. Deploy vMXs and terminate each service chain in a different VRF on each vMX.
- C. Deploy SRX240s and terminate each service chain in a different VRF on each SRX Series device.
- D. Deploy vSRXs and terminate each service chain in a different VRF on each vSRX.

**Answer: D**

**Question No : 6**

Clos architectures are based on which network topology?

- A. ring
- B. VLANs
- C. hybrid
- D. spine and leaf

**Answer: D**

**Question No : 7**

You are asked to deploy Spotlight Secure to help secure the data center.

What are three required components for this deployment? (Choose three.)

- A. Juniper threat feeds
- B. custom security feeds
- C. SRX Series devices
- D. Spotlight Connector VM
- E. Security Director

**Answer: A,C,D**

Reference: <https://www.juniper.net/assets/kr/kr/local/pdf/datasheets/1000427-en.pdf>

**Question No : 8**

The QFX5100 can be configured to be a virtual tunnel endpoint (VTEP) in your Clos IP fabric.

What is the importance of this capability?

- A. It allows the QFX5100 to perform the PE role of an EVPN.
- B. It allows attached bare metal servers to communicate using an overlay VXLAN network.
- C. It prevents the QFX5100 from learning the MAC addresses of an overlay network.
- D. It allows the QFX5100 to perform the PE role of a Layer 2 pseudowire.

**Answer: B**

**Question No : 9**

Your customer is deploying a new data center in a collocation facility and will occupy several racks throughout the environment. The racks are not in close proximity and, in some cases, reside on different floors. The interconnected racks will never exceed a distance of more than 300 meters (925 feet) from each other. The connections within the customer's environment are 10GbE and 40GbE. The customer's requirements include high-performance operations, future proofing the connectivity design, and limiting the initial capital investment.

Which two recommendations would you provide the customer? (Choose two.)

- A. Use multimode fiber connections between all customer racks.
- B. Use single-mode fiber connections within a customer rack.
- C. Use DAC connections between all customer racks.
- D. Use DAC connections within a customer rack.

**Answer: B,D**

**Question No : 10**

Your customer has expressed interest in the Junos Fusion solution.

Which two devices should be used in the design proposal as satellite devices for this solution? (Choose two.)