

**TB0-116**

**TB0-116**  
**TIBCO Enterprise Message Service 6**  
**Exam**  
**Version 3.1**

## TB0-116

### Topic 1, Volume A

#### QUESTION NO: 1

Which two statements are true about JMS local transactions? (Choose two.)

- A. Closing a transacted session commits its transaction.
- B. Session interface provides commit and rollback methods.
- C. Consumed messages are acknowledged upon session.commit.
- D. Consumed messages are recovered and redelivered upon session.commit.

**Answer:** B,C

#### QUESTION NO: 2

What action is taken when the command purge all queues foo.\* is sent on the TIBCO EMS Administrator Tool?

- A. All messages in all queues are deleted.
- B. All messages present in the queue called foo.\* are deleted.
- C. All user-created queues whose names match the pattern foo.\* are deleted.
- D. All messages present in all the queues whose names matched the pattern foo.\* are deleted.

**Answer:** D

#### QUESTION NO: 3

A TIBCO EMS Server has the following configuration in the stores.conf and queues.conf files:

stores.conf

```
[filestore-1] type=file file=filestore1.db mode=async
```

## TB0-116

[filestore-2] type=file file=filestore2.db mode=sync queues.conf > store=filestore-1 queue1  
store=filestore-2 Message swapping is enabled.

What happens when NON\_PERSISTENT messages are published on queue1?

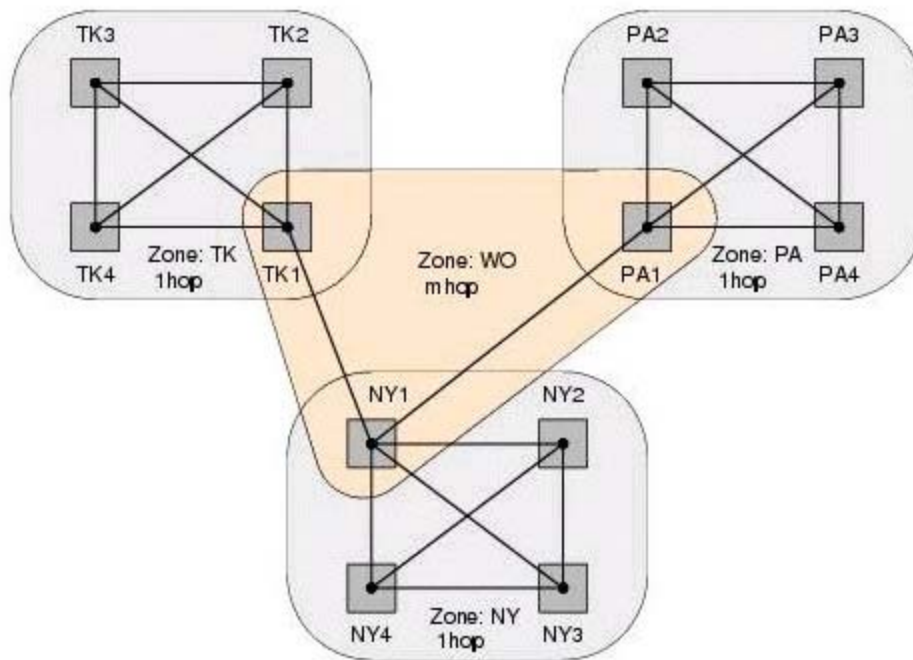
- A. All the published messages are stored in filestore-2.
- B. All the published messages are stored in filestore-1.
- C. Messages are moved to filestore-1 when the server reaches certain memory limits.
- D. Messages are moved to filestore-2 when the server reaches certain memory limits.

**Answer: D**

### QUESTION NO: 4

The following diagram illustrates an enterprise with one-hop zones connecting all the servers in each of several cities in a fully-connected graph. Zone TK connects all the servers in Tokyo; zone NY connects all the servers in New York; zone PA connects all the servers in Paris. In addition, the multi-hop zone WO connects one server in each city. Which three statements are true when a client of server TK3 produces a message? (Choose three.)

TB0-116



- A. When the message reaches PA1, it crosses into zone PA.
- B. When the message reaches TK1, it will cross into zone PA.
- C. TK1 forwards the message to NY1, which in turn forwards it to PA1.
- D. The message will travel one hop to each of the other Tokyo servers.

**Answer:** A,C,D

**QUESTION NO: 5**

What are two allowed connection factory types with TIBCO EMS?

- A. both
- B. xaboth
- C. generic
- D. xageneric

**TB0-116**

**Answer:** C,D

**QUESTION NO: 6**

Which two sets of commands successfully create a queue connection factory called fact with the URL pointing to localhost:7222 on the TIBCO EMS Server? (Choose two.)

A. create factory fact queue

```
addprop factory fact url=tcp://7222
```

```
setprop factory fact url
```

B. create factory fact queue url=tcp://7222

C. create factory queue fact

```
setprop factory fact url=tcp://localhost7222
```

D. create factory fact queue

```
addprop factory fact url=tcp://localhost:7222
```

E. create factory fact queue

```
addprop factory fact url=tcp://localhost:7222
```

```
setprop factory fact url
```

**Answer:** B,D

**QUESTION NO: 7**

Which two statements are true about access control and bridges? (Choose two.)

A. A bridge automatically has permission to send to its target destination(s).

B. Message producers must have access to a destination to send messages to that destination.

## TB0-116

- C. ACLs must be added to the bridges.conf file if the access control is enabled for any bridged destination.
- D. A message producer sending messages to a bridged destination must also have access to the target destination(s) defined on the bridge.

**Answer:** A,B

### QUESTION NO: 8

Given the configuration in the acl.conf file: TOPIC=topic.sample1 USER=Bob PERM=subscribe TOPIC=topic.\* Group=engineering PERM=publish,subscribe Which statement is true if Bob is a member of the engineering group?

- A. Bob can only subscribe to topic.sample1.
- B. Bob can publish and subscribe to only topic.sample1.
- C. Bob can publish and subscribe to both topic.sample1 and topic.sample2.
- D. Bob can publish to only topic.sample2 but can subscribe to both topic.sample1 and topic.sample2.
- E. Bob can publish to only topic.sample1 but can subscribe to both topic.sample1 and topic.sample2.

**Answer:** C

### QUESTION NO: 9

Server R defines a global queue named Q1. R is also the owner of Q1. Servers P and S define routed queues Q1@R. The servers P, R, and S are connected by routes. Which two statements are true? (Choose two.)

- A. When a message is sent from server P to queue Q1, P forwards the message to the home queue on server R.
- B. Messages are available to local and remote consumers even before the message reaches the home queue.

## TB0-116

C. If Server P or the route connection from P to R fails, a consumer application of server P will not be able to receive messages from Q1 until the

servers resume communication.

D. When a message is sent from server S to Q1 and the route is not connected, the message is not delivered, and the client application receives

the exception `DESTINATION_NOT_AVAILABLE`.

**Answer:** A,C

### QUESTION NO: 10

Given the following set of values: ?sess is a Session object ?dest is a Destination object ?nolocal is a boolean variable What is the correct way to create a message consumer with a selector?

A. `String selector = " JMSCorrelationID=3";`

`MessageConsumer consumer = sess.createConsumer(dest,selector,nolocal);`

B. `String selector = " JMSCorrelationID='3'";`

`MessageConsumer consumer = sess.createConsumer(dest,selector,nolocal);`

C. `String selector = " JMSCorrelationID=3";`

`MessageConsumer consumer = sess.createConsumer(dest, nolocal, selector);`

D. `String selector = " 'JMSCorrelationID'='3'";`

`MessageConsumer consumer = sess.createConsumer(dest, selector, nolocal);`

**Answer:** B

### QUESTION NO: 11

What are two valid TIBCO EMS Administrator Tool commands? (Choose two.)

A. `set server ft=enabled`

## TB0-116

- B. set server routing=enabled
- C. set server authorization=enabled
- D. set server detailed\_statistics=NONE

**Answer:** C,D

### QUESTION NO: 12

The mismatched bandwidth between a message producer and consumer can be solved by setting which property in the TIBCO EMS configuration?

- A. multicast
- B. flow\_control
- C. msg\_swapping
- D. max\_msg\_memory

**Answer:** A

### QUESTION NO: 13

Which two statements are true about a fault-tolerant configuration of TIBCO EMS where the primary server heartbeat has stopped? (Choose two.)

- A. The backup server waits for its activation interval.
- B. The backup server tries to retrieve the information from shared storage.
- C. The backup server assumes control if the ft\_weight parameter is equal to 1.
- D. If  $ft\_activation = ft\_heartbeat \times 5$ , the backup server becomes the primary server.
- E. The server\_timeout\_server\_connection parameter is used by the backup server before attempting a switchover.

**Answer:** A,B



## TB0-116

### QUESTION NO: 14

A TIBCO EMS Server (mystore) has the following configuration in the stores.conf and queues.conf files:  
stores.conf [mystore] type=file file=mystore.db mode=sync [mystore] type=dbstore  
dbstore\_driver\_url=jdbc:sqlserver://sqlsrv\_1:3415;databaseName=sysmeta  
dbstore\_driver\_username=admin dbstore\_driver\_password=admin123 queues.conf queue1 store=mystore  
Which statement is true when PERSISTENT messages are published to queue1?

- A. The server decides at runtime which store to use.
- B. The server picks the mystore of file type because it was configured first.
- C. The server fails to start because there are two stores configured with the same name.
- D. The server picks the mystore of database type because that overrides the previously configured filestore.

**Answer: C**

### QUESTION NO: 15

Which two mappings of JMS header fields to TIBCO Rendezvous data types are correct? (Choose two.)

- A. JMSType to TIBRVMSG\_U8
- B. JMSTimestamp to TIBRVMSG\_U64
- C. JMSDeliveryMode to TIBRVMSG\_U8
- D. JMSRedelivered to TIBRVMSG\_STRING

**Answer: A,D**

### QUESTION NO: 16

## TB0-116

Which three statements are true about using Third-Party JNDI Naming/Directory Services with TIBCO EMS? (Choose three.)

- A. Destinations cannot be retrieved from third-party naming or directory services.
- B. To use a third-party directory service, you must have a JNDI provider for that specific type of service.
- C. For third-party services, the only prerequisite is that the objects must have previously been stored there.
- D. EMS supports the storage and retrieval of ConnectionFactories in third-party naming or directory services.
- E. The objects physically stored by EMS coming from a third-party naming/directory service are serialized objects.
- F. The synchronization of administered objects between the EMS Server and the foreign naming/directory services is automatic.

**Answer:** B,C,D

### QUESTION NO: 17

What are two valid queue properties? (Choose two.)

- A. export
- B. channel
- C. exclusive
- D. maxRedelivery

**Answer:** A,B

### QUESTION NO: 18

Which three message delivery modes are valid for TIBCO EMS? (Choose three.)